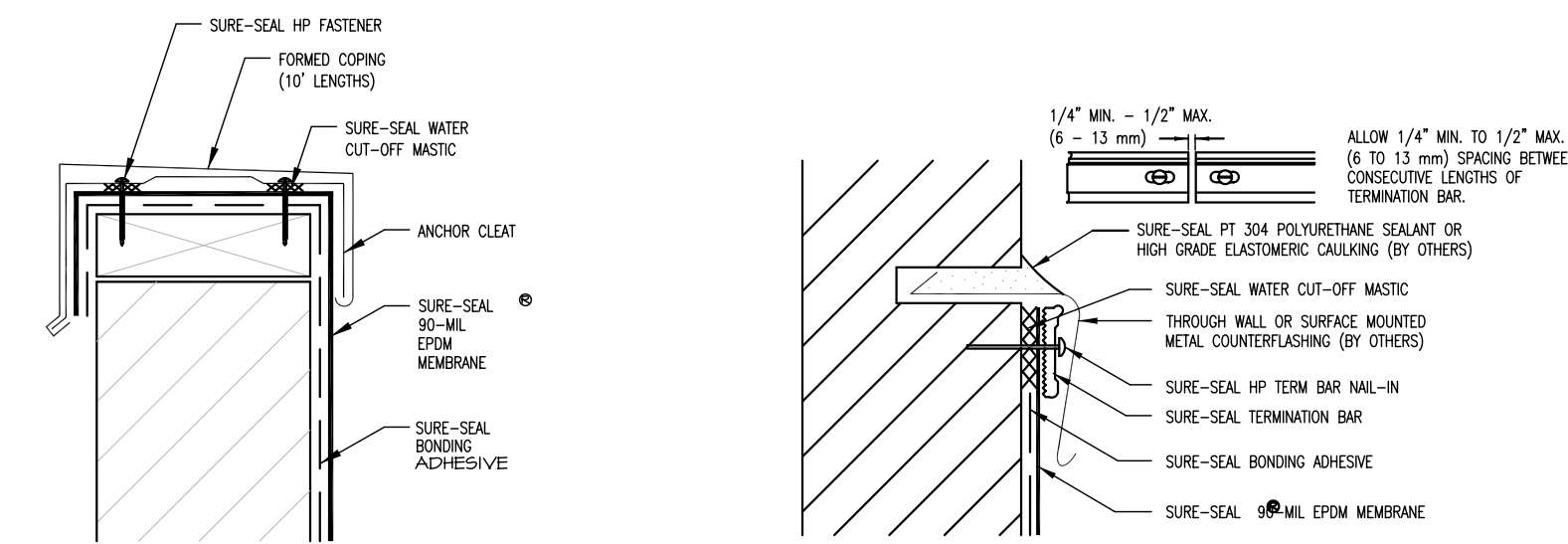


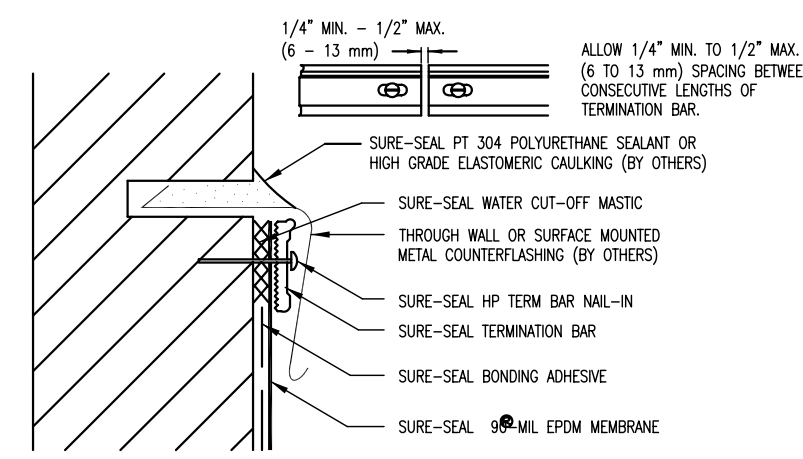
THIS DOCUMENT, AND THE IDEAS AND DESIGNS INCORPORATED HEREIN, IS THE PROPERTY OF K4 ARCHITECTURE, L.L.C. AND IS NOT TO BE USED, IN WHOLE OR IN PART, FOR ANY OTHER PROJECT WITHOUT THE WRITTEN AUTHORIZATION OF K4 ARCHITECTURE, L.L.C. COPYRIGHT 2009, K4 ARCHITECTURE, L.L.C. ALL RIGHTS RESERVED.

File Location: E:\K4 Projects\2009\09-2109 FTB Shelbyville (N) Arch

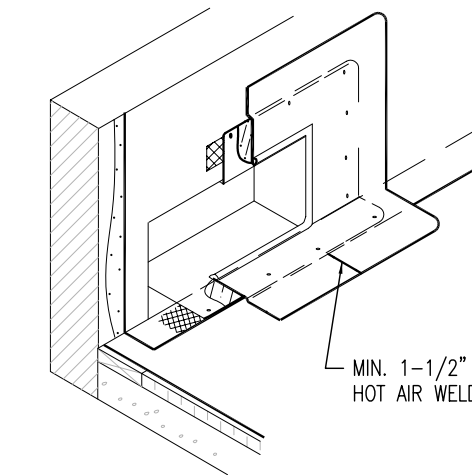


- NOTES:
1. WATER CUT-OFF MASTIC SHALL BE APPLIED AROUND EACH SLOT AND FASTENER HOLE.
 2. REFER TO SecurEdge COPING INSTALLATION INSTRUCTION MANUAL FOR STEP-BY-STEP INSTRUCTION PROCEDURES.

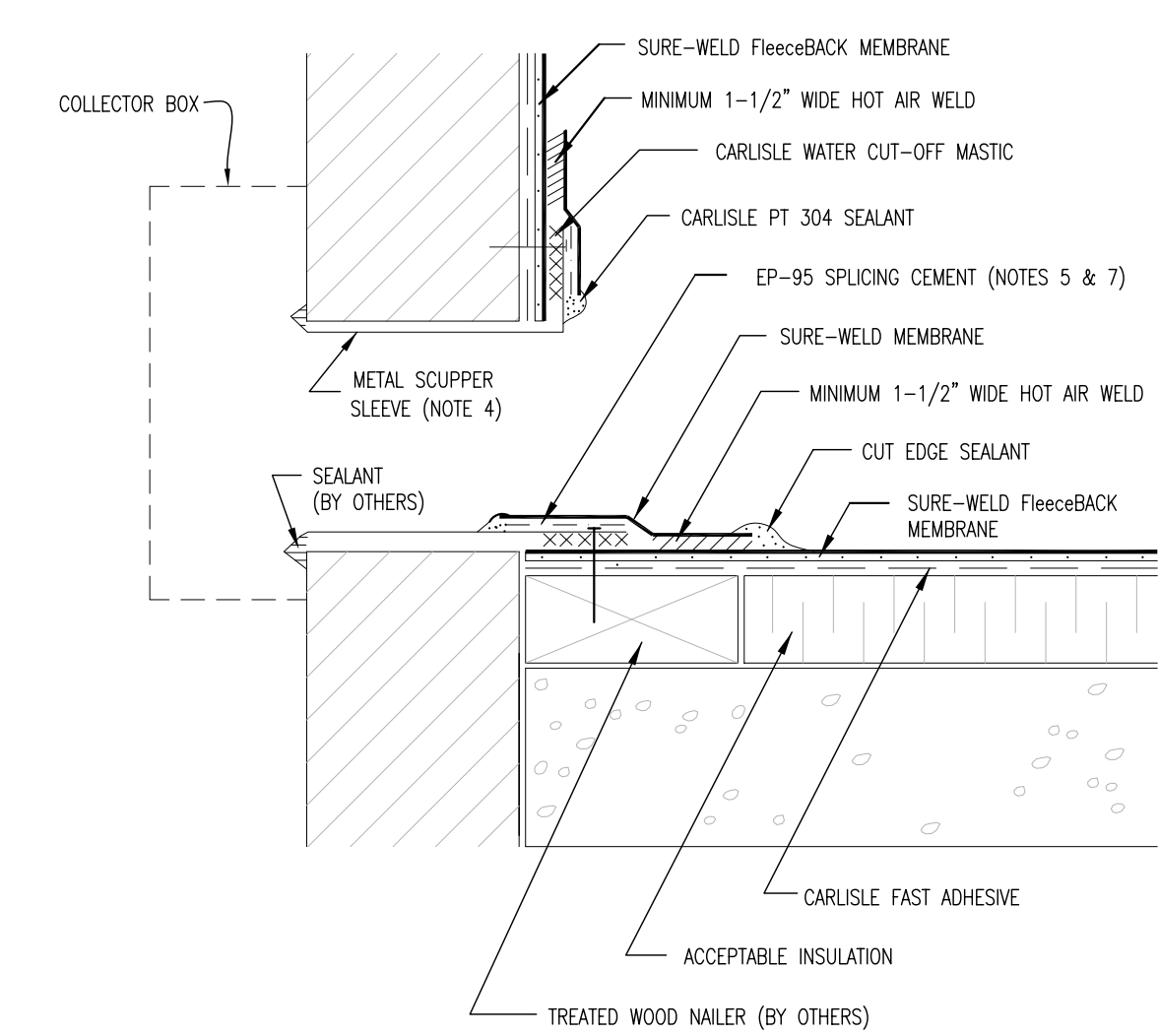
4
A802
VERTICAL FLASHING TERMINATIONS
SCALE: N.T.S.



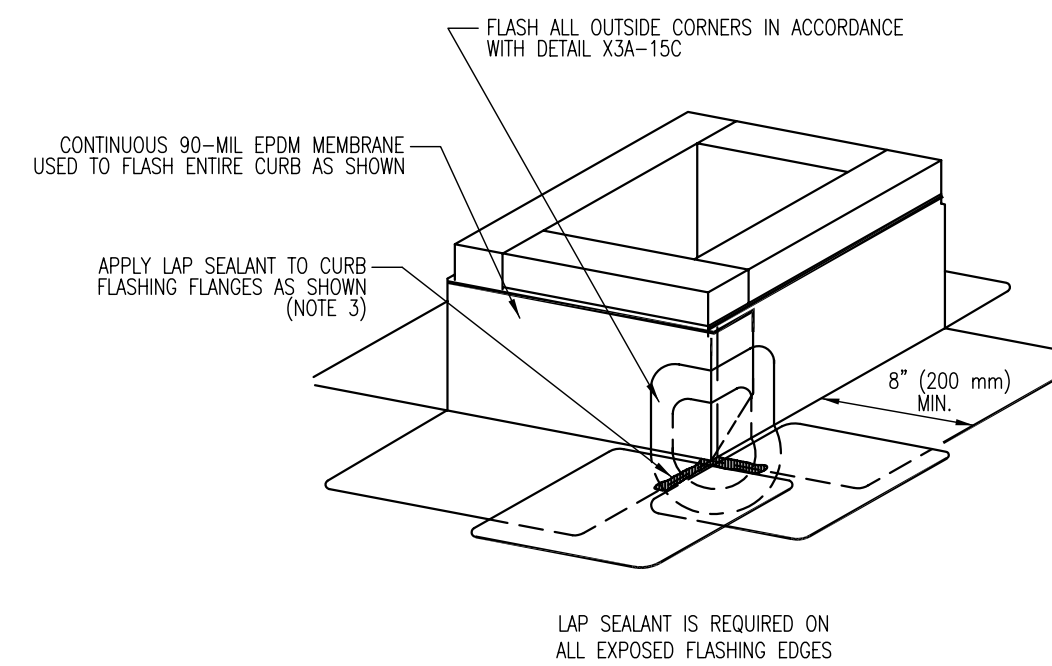
- NOTES:
1. APPLY ON HARD SMOOTH SURFACE ONLY; NOT FOR USE ON WOOD.
 2. WATER CUT-OFF MASTIC MUST BE HELD UNDER CONSTANT COMPRESSION.
 3. DO NOT WRAP COMPRESSION TERMINATION AROUND CORNERS.



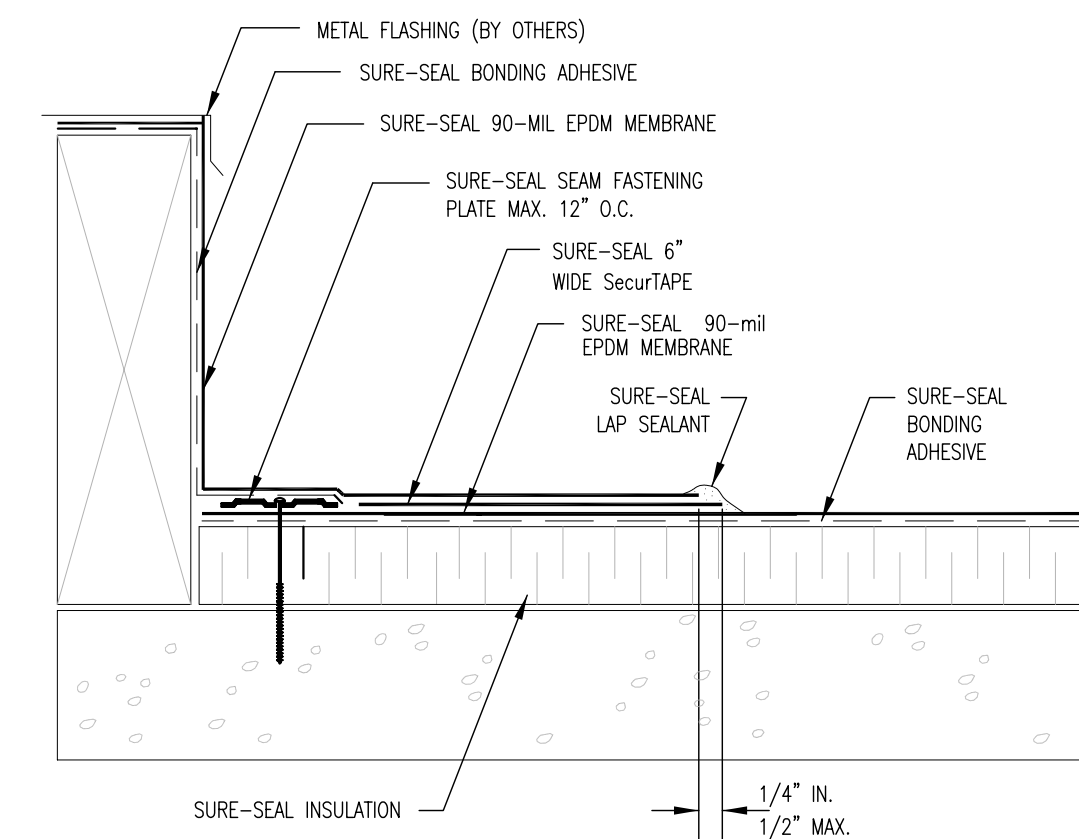
- NOTES:
1. TREATED WOOD NAILER MUST EXTEND PAST TOTAL WIDTH OF DECK FLANGE.
 2. INSTALL WALL FLASHING PRIOR TO SCUPPER INSTALLATION.
 3. METAL SCUPPER BOX MUST HAVE CONTINUOUS SIDES; METAL FLANGE MUST BE CONTINUOUS WITH ROUNDED CORNERS.
 4. PRIOR TO APPLYING EP-95 SPLICING CEMENT, CLEAN METAL SCUPPER SLEEVE WITH WEATHERED MEMBRANE CLEANER OR HP-250 PRIMER.
 5. WATER CUT-OFF MASTIC UNDER SCUPPER FLANGE MUST BE UNDER CONSTANT COMPRESSION.
 6. MINIMUM 2" SPLICE FROM NAIL HEAD.
 7. PT 304 SEALANT IS REQUIRED AT FLASHING EDGE ON SCUPPER EDGE.
 8. APPROXIMATELY 1/8" DIAMETER BEAD OF CUT-EDGE SEALANT IS REQUIRED ON CUT EDGES OF SURE-WELD REINFORCED MEMBRANE.



1
A802
ROOF SCUPPER
SCALE: N.T.S.

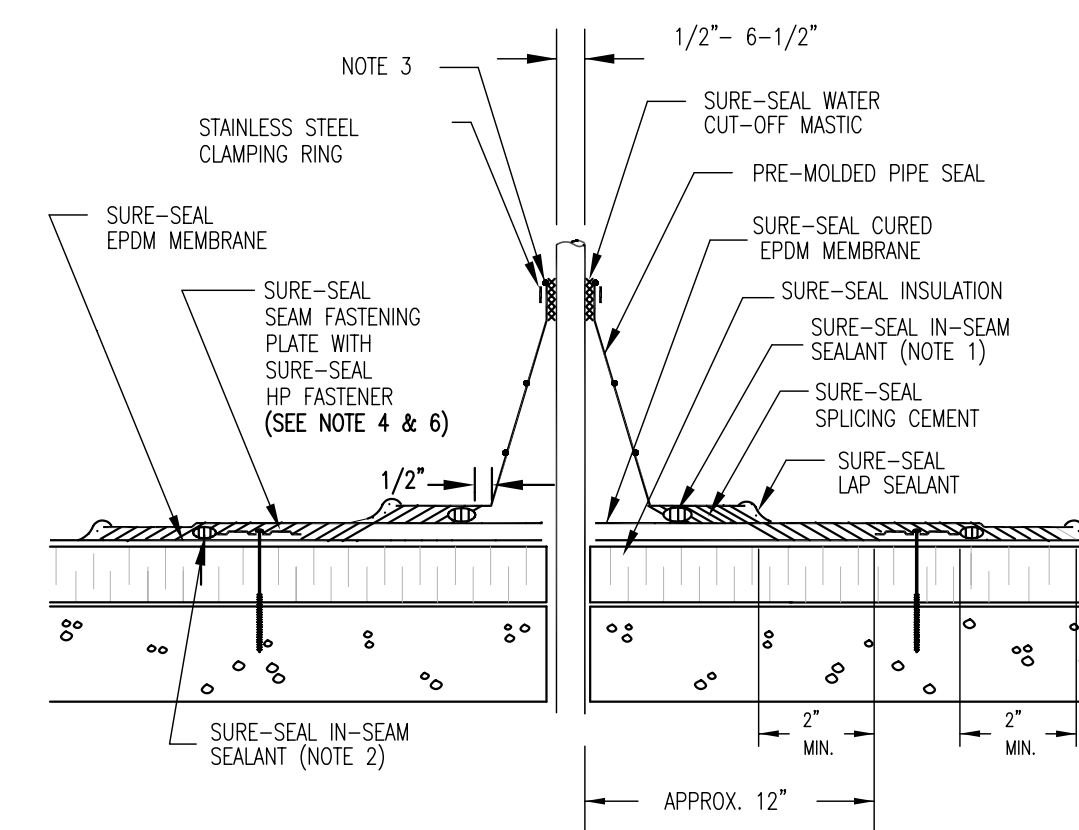


- NOTES:
1. IF VERTICAL SPLICE IS NOT LOCATED AT CORNER, A 4.5" x 6" AND A 9" x 12" PIECE OF PRESSURE-SENSITIVE ELASTOFORM FLASHING MUST BE CENTERED OVER FIELD SPLICE AT ANGLE CHANGES.
 2. APPLY PRIMER PRIOR TO INSTALLING SecurTAPE.
 3. APPLY LAP SEALANT ALONG THE EDGE OF THE CURB FLASHING FLANGES EXTENDING 2" MINIMUM FROM THE CORNER OF THE CURB.



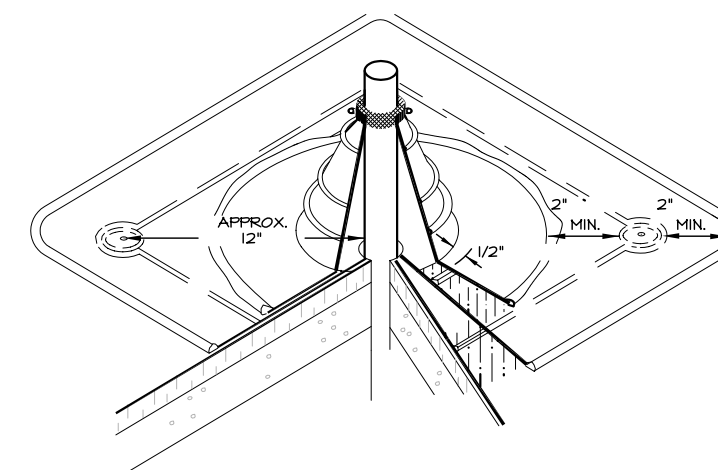
2
A802
ROOF CURB FLASHING
SCALE: N.T.S.

FOR PIPES BETWEEN 1/2 INCH (13 mm) TO 6-1/2 INCH (165 mm) DIAMETER



- NOTES:
1. APPLY IN-SEAM SEALANT 1/2" FROM THE INSIDE EDGE OF THE PIPE SEAL FLANGE.
 2. IN-SEAM SEALANT MUST BE LOCATED A MAXIMUM OF 1/2" AWAY FROM THE SEAM FASTENING PLATE AND SHALL BE CONTINUOUS AROUND THE PIPE.
 3. PRE-MOLDED PIPE SEAL MUST HAVE INTACT RIB AT TOP EDGE REGARDLESS OF PIPE DIAMETER.
 4. SEAM FASTENING PLATES ARE ALSO REQUIRED AROUND FIELD FABRICATED PIPE SEALS (U-14 DETAILS).
 5. INSTALL A MINIMUM OF 4 SEAM FASTENING PLATES FOR PIPES WITH A DIAMETER UP TO 6". ADDITIONAL SEAM FASTENING PLATES WILL BE REQUIRED FOR GREATER THAN 6" IN DIAMETER AND SHALL BE SPACED 12" ON CENTER MAXIMUM.
 6. POLYMER SEAM PLATES ARE REQUIRED IN LIEU OF SEAM FASTENING PLATES OVER STEEL DECKS.

3
A802
PIPE/VENT FLASHING
SCALE: N.T.S.



K4 ARCHITECTURE, L.L.C.
555 Gest Street
Cincinnati, Ohio 45203
Tel: (513) 455-5005
Fax: (513) 455-5008
Webpage: www.k4places.com
Email: info@k4places.com

PROPOSED BANKING CENTER FOR:

Shelbyville Branch
1850 MARKETPLACE Blvd.
SHELBYVILLE, INDIANA 46176

first
first financial bank

REVISIONS / SUBMISSIONS		
NO.	DESCRIPTION	DATE
	PERMIT / BID ISSUE	02/22/10

ROOF DETAILS

Drawn By: K4
Scale: AS NOTED
Job No.: 09-2109

A802