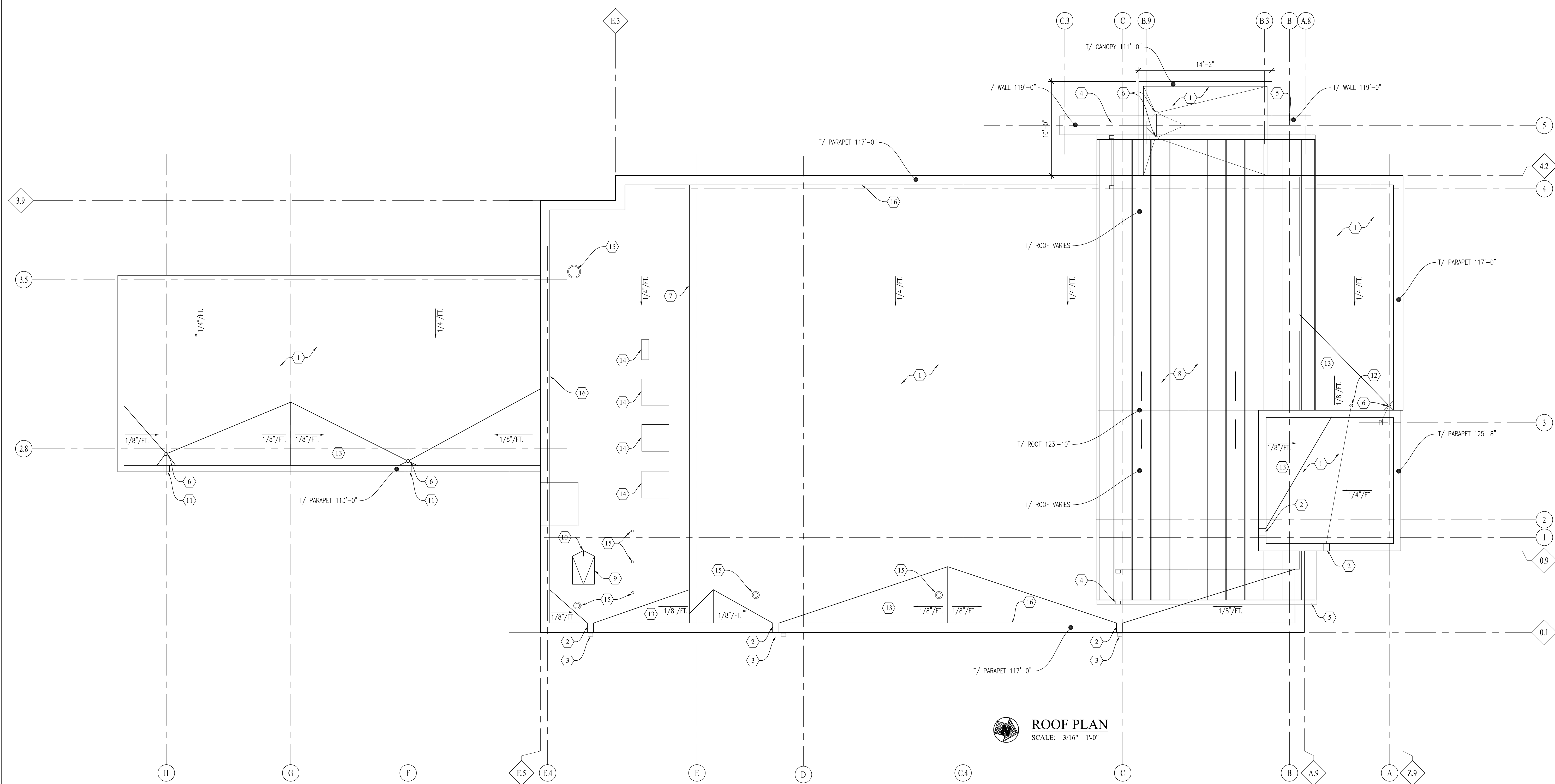
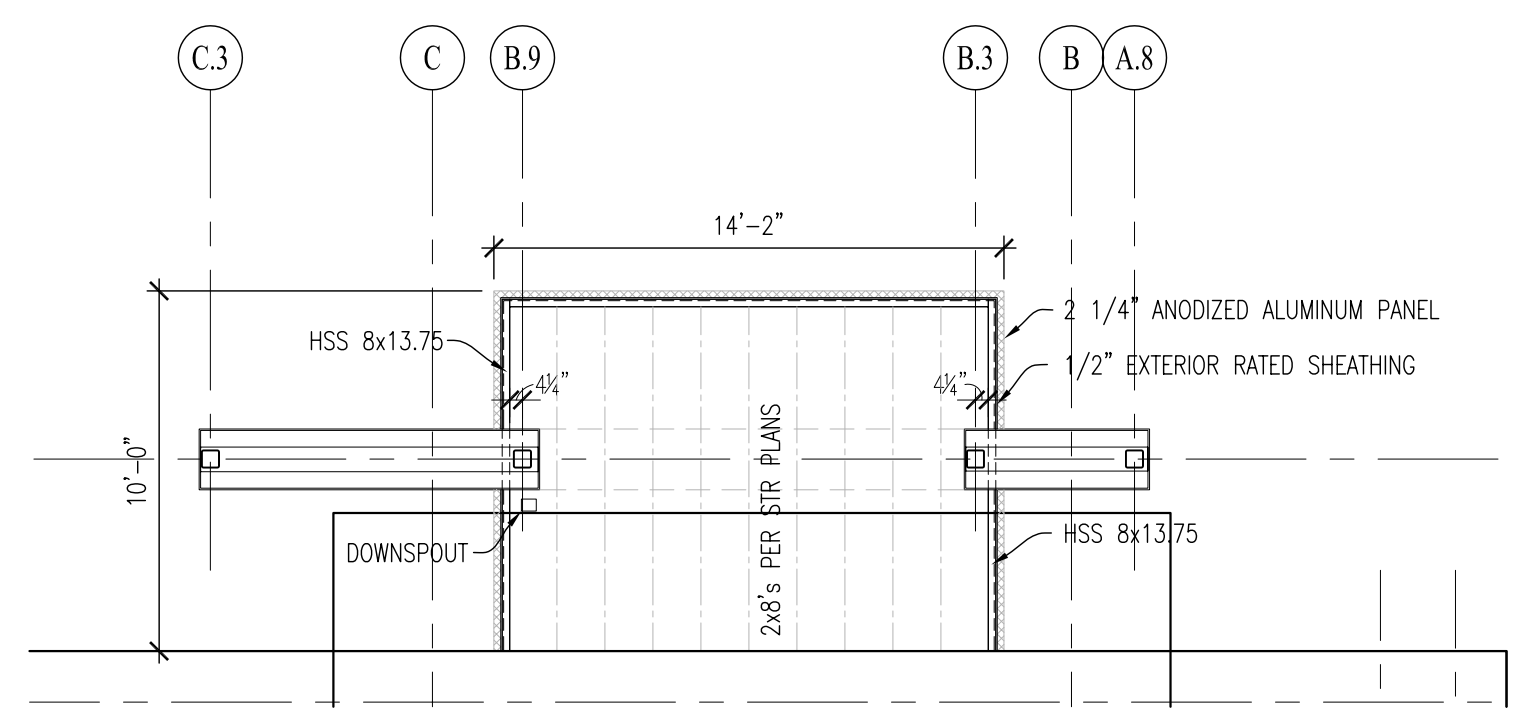


THIS DOCUMENT, AND THE IDEAS AND DESIGNS INCORPORATED HEREIN, IS THE PROPERTY OF K4 ARCHITECTURE, L.L.C. AND IS NOT TO BE USED, IN WHOLE OR IN PART, FOR ANY OTHER PROJECT WITHOUT THE WRITTEN AUTHORIZATION OF K4 ARCHITECTURE, L.L.C. COPYRIGHT 2009, K4 ARCHITECTURE, L.L.C. ALL RIGHTS RESERVED.

File Location: E:\K4 Projects\2009\09-2109 FTB Shelbyville, IN\Arch



**ROOF PLAN**  
SCALE: 3/16" = 1'-0"



**PARTIAL LOWER LEVEL ROOF FRAMING PLAN**  
SCALE: 3/16" = 1'-0"

INFORMATION ON THIS PLAN IS FOR COORDINATION WITH METAL WALL PANEL AND DOWNSPOUT LOCATIONS. COORDINATE ALL FRAMING MEMBERS AND SIZES WITH STRUCTURAL DRAWINGS.

**NOTES THIS DRAWING:**

1. SUN REFLECTIVE EPDM MEMBRANE ROOFING. BASIS OF DESIGN IS SURE SEAL, BY CARLISLE SYNTEC Inc.
2. SCUPPER. REFER TO DETAIL 1/A802 FOR ADDITIONAL INFORMATION
3. DOWNSPOUT TO GRADE.
4. DOWNSPOUT TO ROOF BELOW.
5. GUTTER.
6. ROOF DRAIN.
7. STEP IN ROOF. LAP AND TERMINATE MEMBRANE PER MANUFACTURERS STANDARD DETAILS.
8. STANDING SEAM METAL ROOF SYSTEM.
9. ROOF ACCESS SCUTTLE
10. SADDLE
11. 8" ROOF OVERFLOW.
12. SECONDARY ROOF DRAIN.
13. TAPERED INSULATION.
14. CURB MOUNTED HVAC EQUIPMENT. REFER DETAIL 2/A802 AND TO SHEET HV102
15. EXHAUST VENT OR DUCT PENETRATION THROUGH MEMBRANE ROOF. REFER TO DETAIL 3/A802 AND HV102 FOR SIZE AND TYPE.
16. RUN EPDM MEMBRANE UP BACK SIDE OF PARAPET WALL AND TERMINATE PER MANUFACTURERS STANDARD DETAILS. RE: DETAIL 4/A802.

**K4 ARCHITECTURE, LLC**  
555 Gest Street  
Cincinnati, Ohio 45203  
Tel: (513) 455-5005  
Fax: (513) 455-5008  
Webpage: www.k4places.com  
Email: info@k4places.com

PROPOSED BANKING CENTER FOR:

**first** financial bank  
Shelbyville Branch  
1850 MARKETPLACE Blvd.  
SHELBYVILLE, INDIANA 46176

REVISIONS / SUBMISSIONS		
NO.	DESCRIPTION	DATE
1	PERMIT / BID ISSUE	02/22/10

**ROOF PLAN**

Drawn By: K4  
Scale: AS NOTED  
Job No.: 09-2109

**A-801**