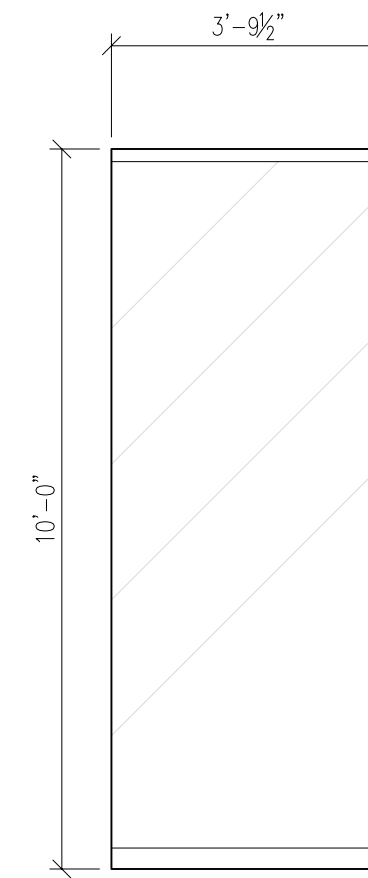
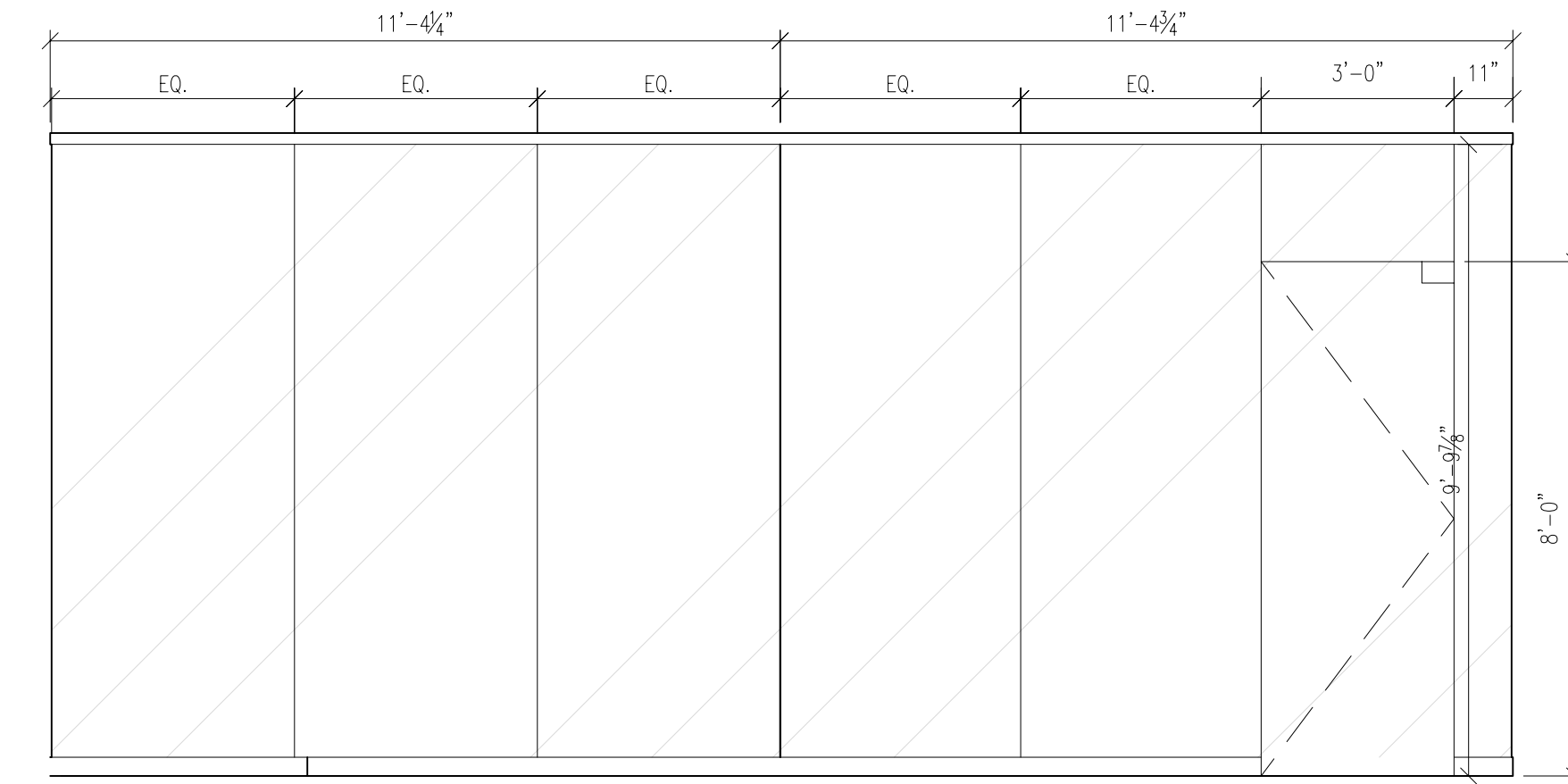


THIS DOCUMENT, AND THE IDEAS AND DESIGNS INCORPORATED HEREIN, IS THE PROPERTY OF K4 ARCHITECTURE, L.L.C. AND IS NOT TO BE USED, IN WHOLE OR IN PART, FOR ANY OTHER PROJECT WITHOUT THE WRITTEN AUTHORIZATION OF K4 ARCHITECTURE, L.L.C. COPYRIGHT 2009, K4 ARCHITECTURE, L.L.C. ALL RIGHTS RESERVED.

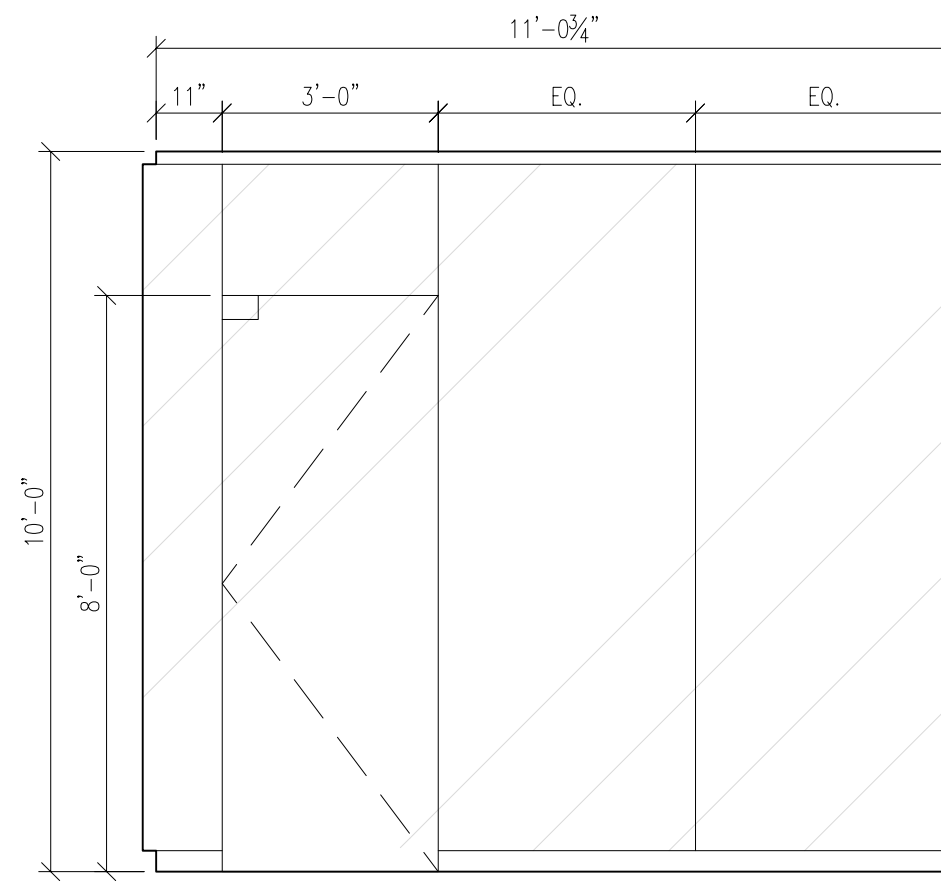
File Location: E:\K4 Projects\2009\09-2109 FTR Shelbyville, IN\Arch



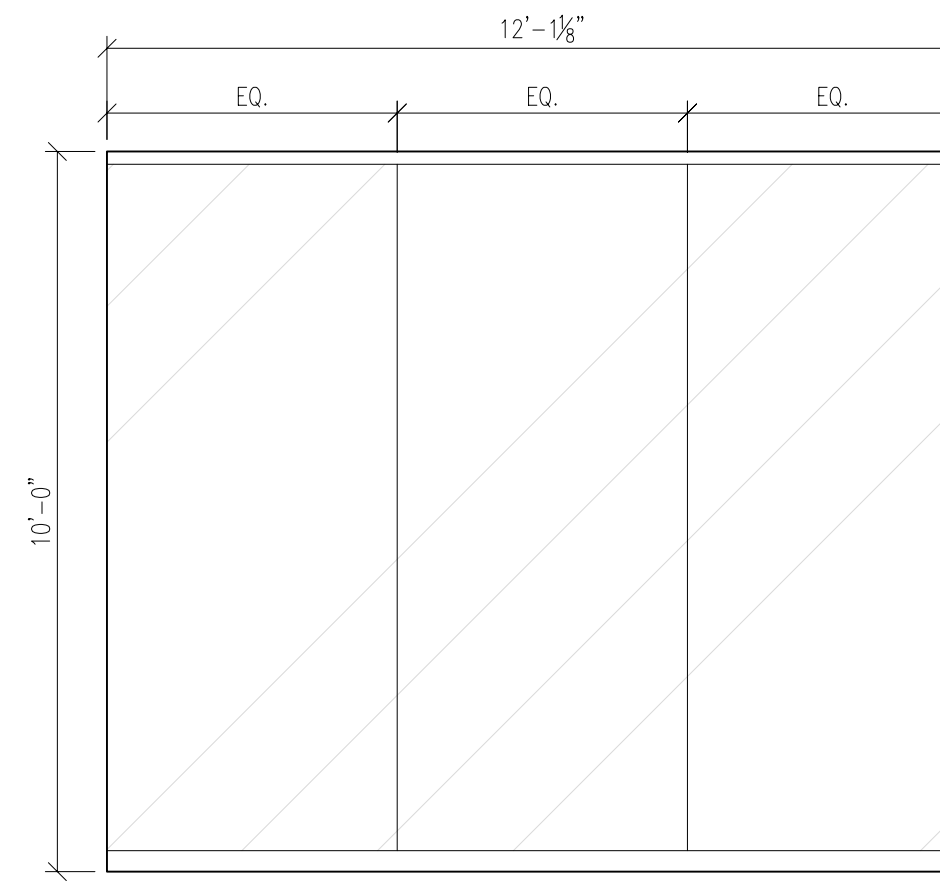
12
A503
INTERIOR ELEVATION
SCALE: 3/8" = 1'-0"



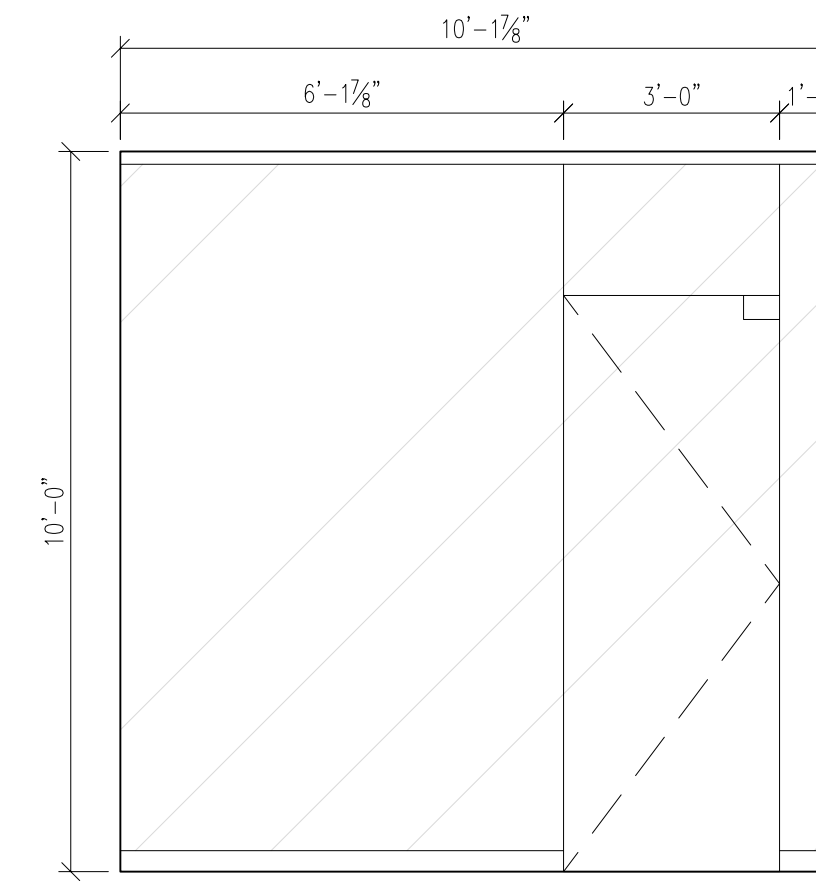
11
A503
INTERIOR ELEVATION
SCALE: 3/8" = 1'-0"



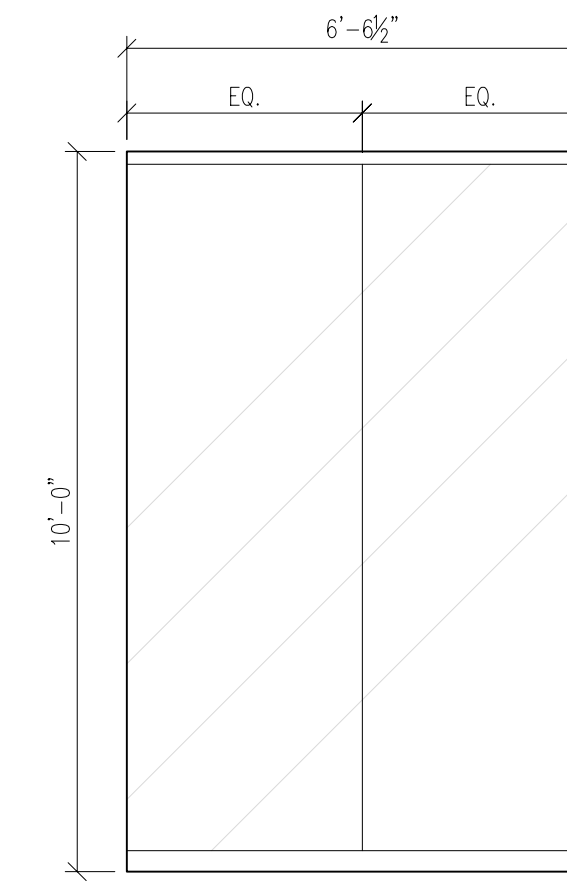
10
A503
INTERIOR ELEVATION
SCALE: 3/8" = 1'-0"



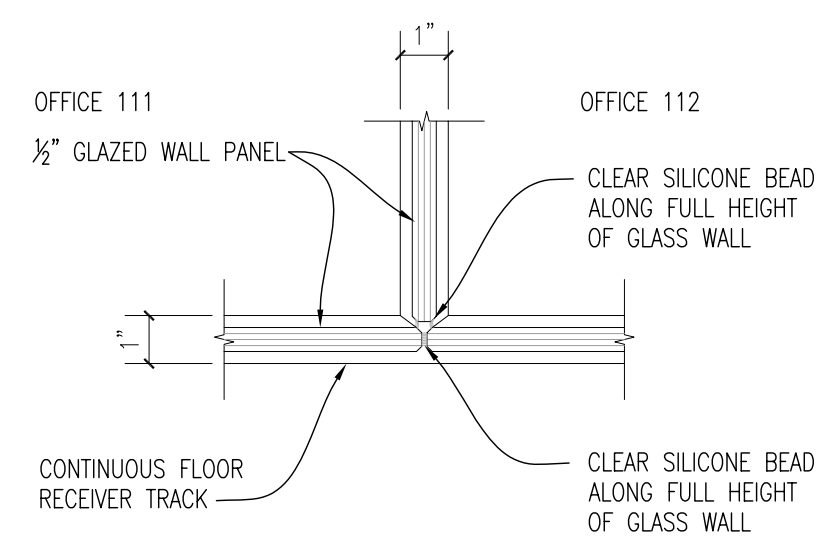
9
A503
INTERIOR ELEVATION
SCALE: 3/8" = 1'-0"



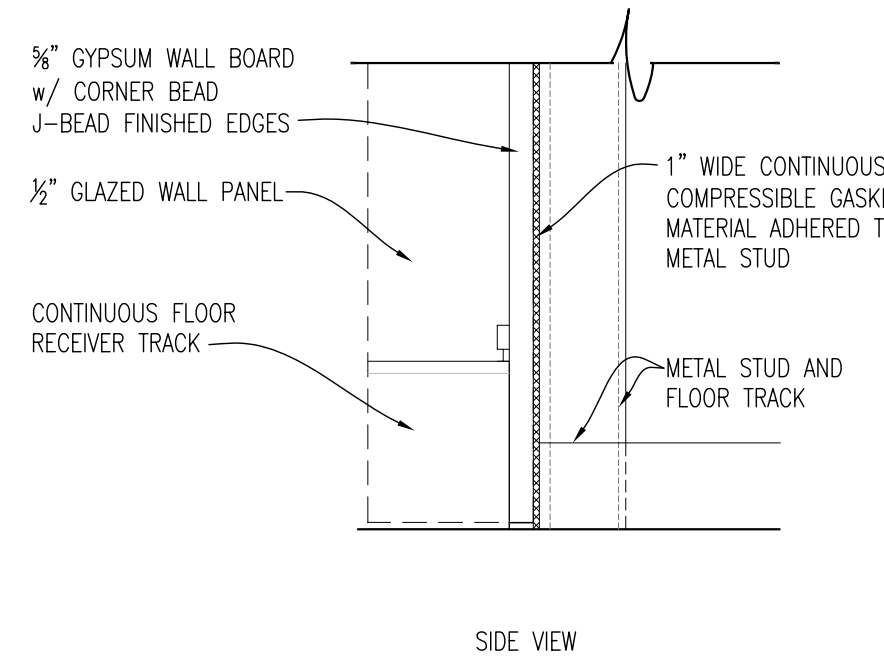
8
A503
INTERIOR ELEVATION
SCALE: 3/8" = 1'-0"



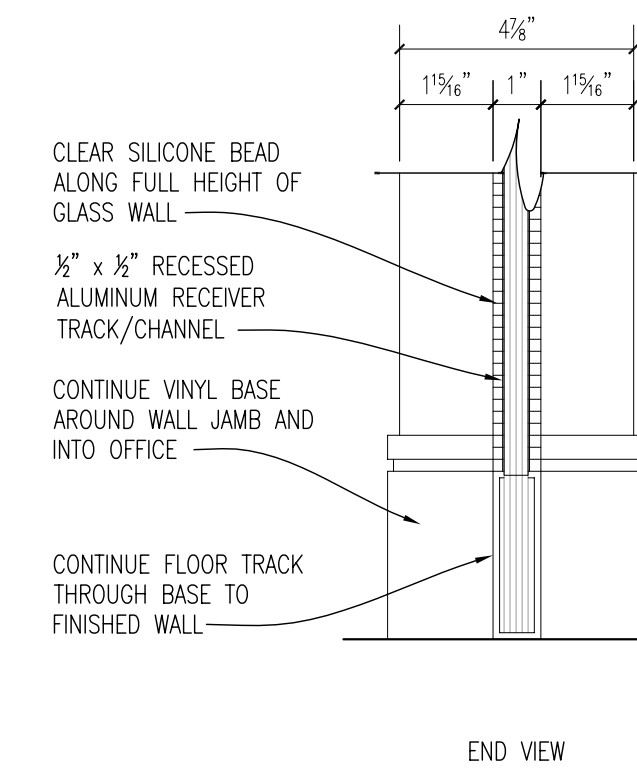
7
A503
INTERIOR ELEVATION
SCALE: 3/8" = 1'-0"



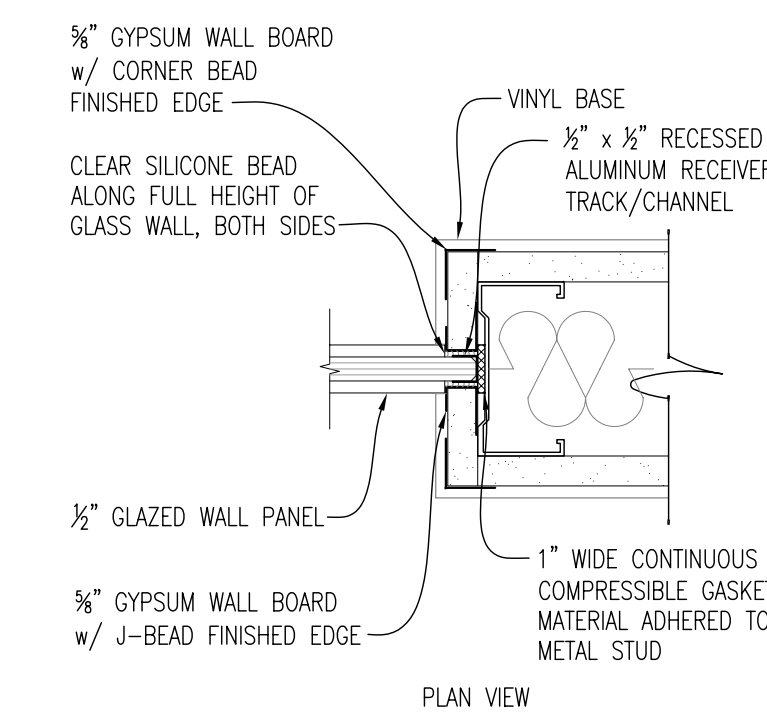
5
A503
TEE TRACK BETWEEN OFFICES 111 & 112
DETAIL
SCALE: 3" = 1'-0"



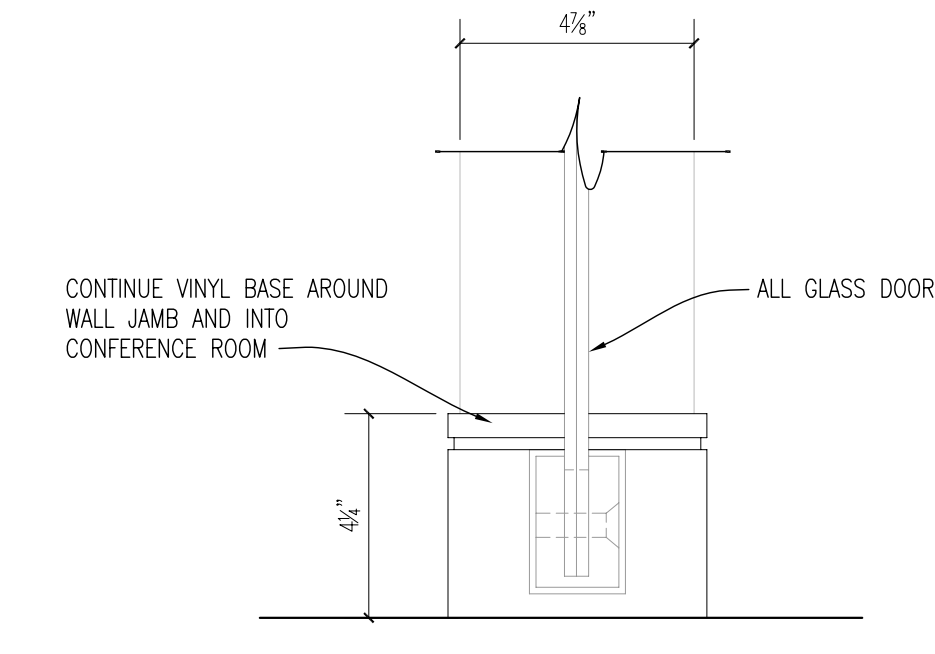
4
A503
ACOUSTIC BREAK BETWEEN OFFICES
DETAIL
SCALE: 3" = 1'-0"



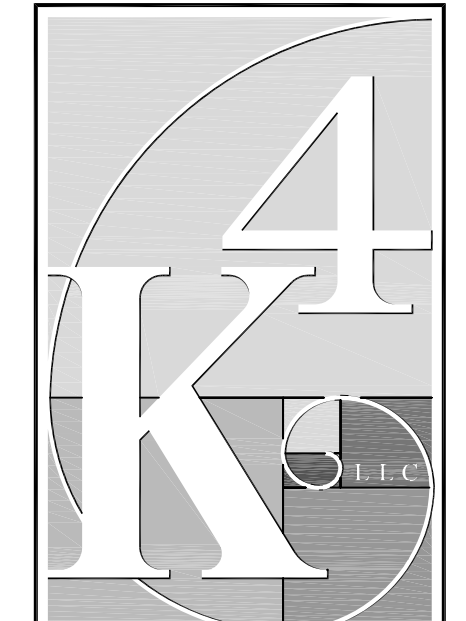
3
A503
ACOUSTIC BREAK BETWEEN OFFICES
DETAIL
SCALE: 3" = 1'-0"



2
A503
ACOUSTIC BREAK BETWEEN OFFICES
DETAIL
SCALE: 3" = 1'-0"



1
A503
BASE AT DOORS 108A & 108B
ELEVATION
SCALE: 3" = 1'-0"



K4 ARCHITECTURE, LLC
555 Gest Street
Cincinnati, Ohio 45203
Tel: (513) 455-5005
Fax: (513) 455-5008
Webpage: www.k4places.com
Email: info@k4places.com

PROPOSED BANKING CENTER FOR:
first financial bank
Shelbyville Branch
1850 MARKETPLACE Blvd.
SHELBYVILLE, INDIANA 46176

REVISIONS / SUBMISSIONS		
NO.	DESCRIPTION	DATE
1	PERMIT / BID ISSUE	02/22/10

INTERIOR DETAILS
AND ELEVATIONS
GLASS WALLS

Drawn By: K4
Scale: AS NOTED
Job No.: 09-2109

A503