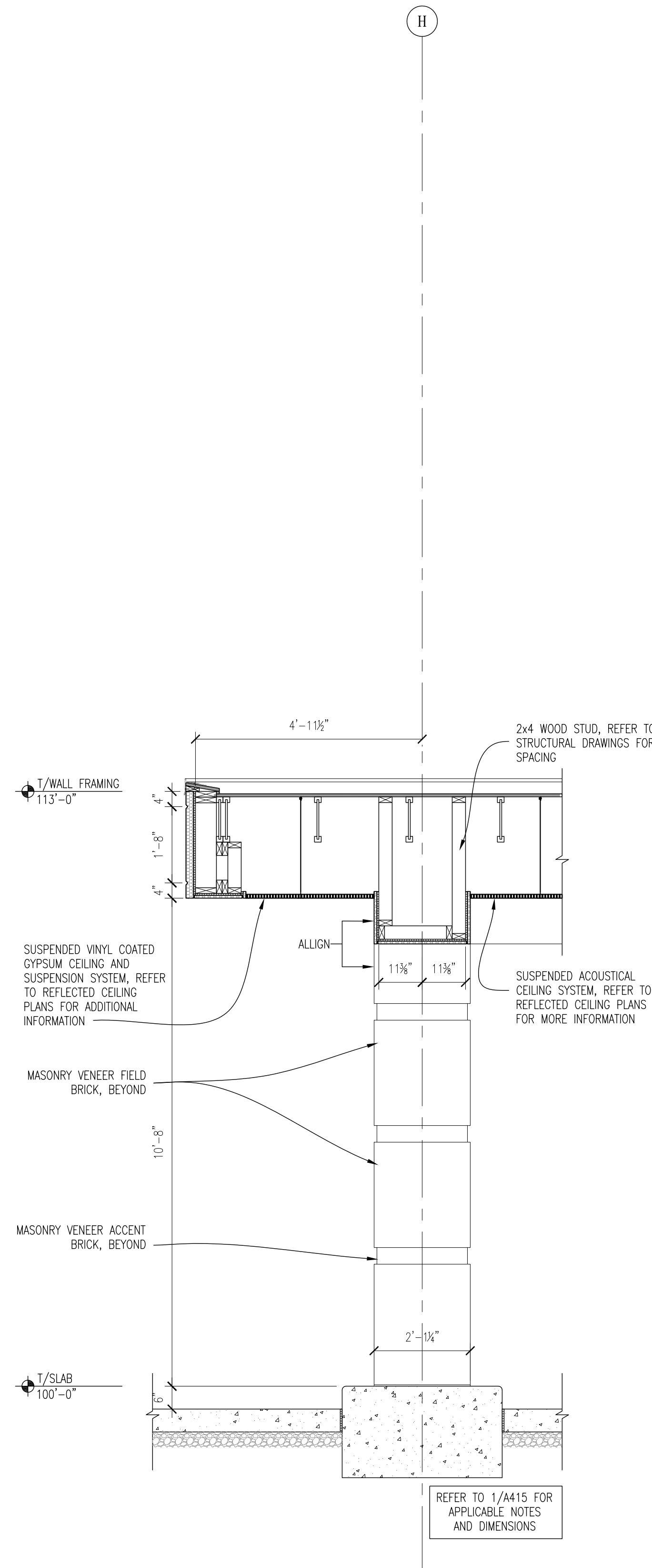
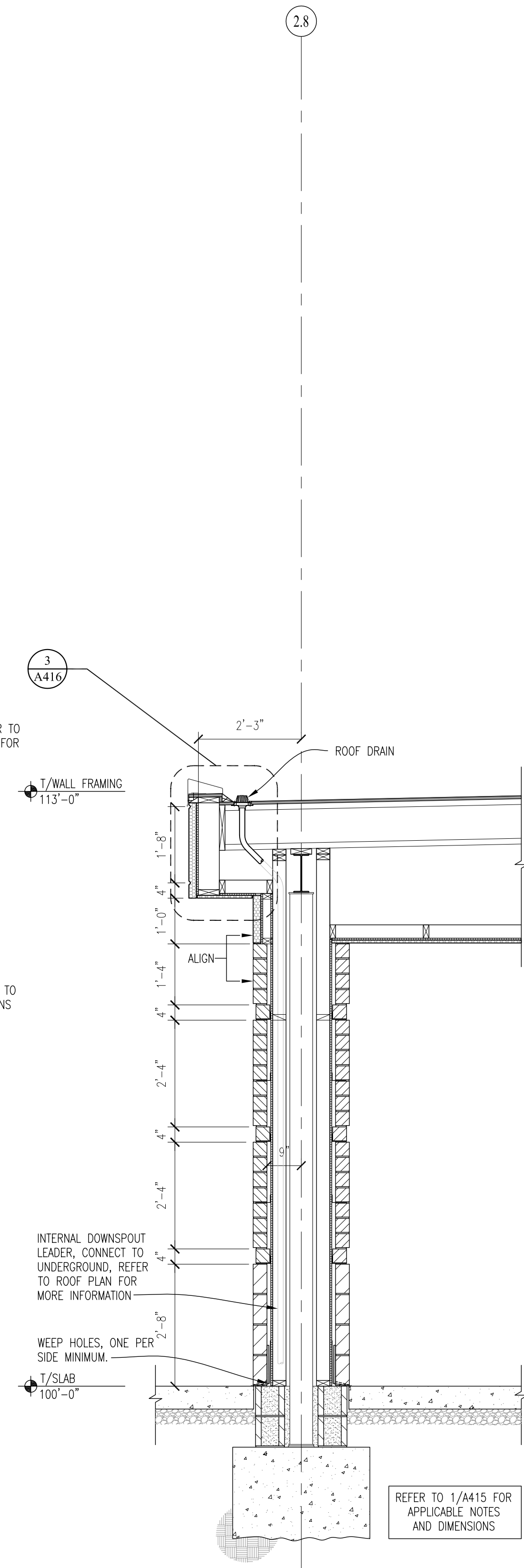


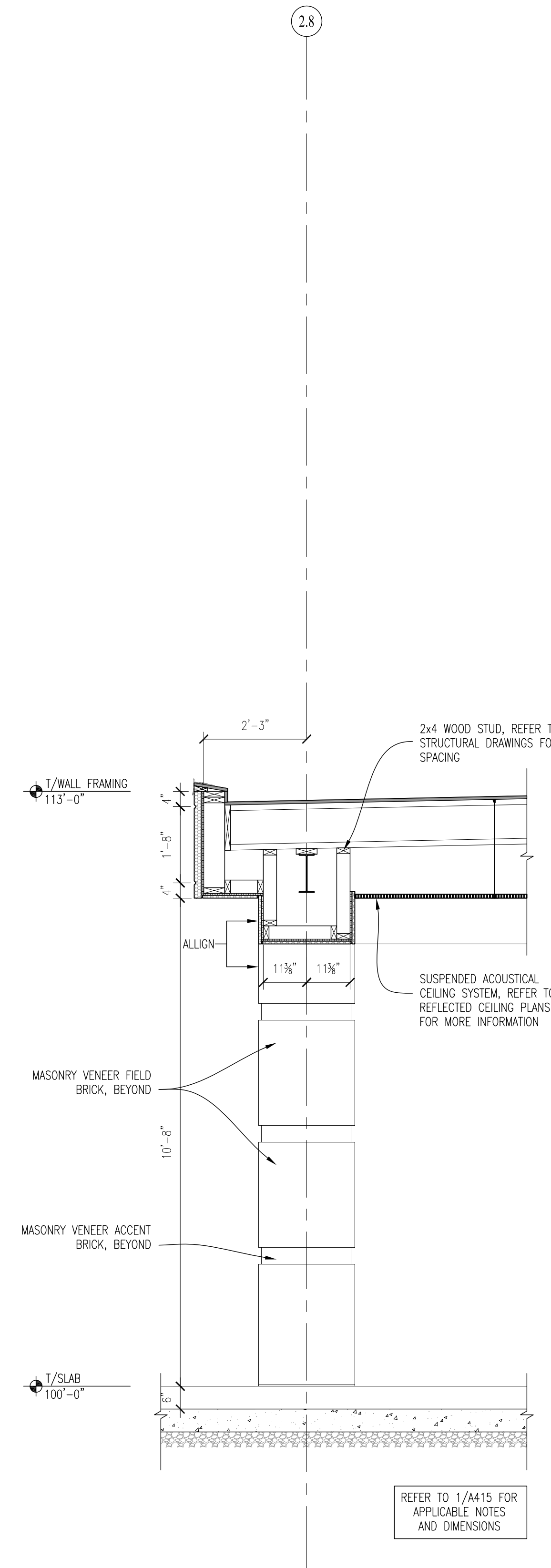
THIS DOCUMENT, AND THE IDEAS AND DESIGNS INCORPORATED HEREIN, IS THE PROPERTY OF K4 ARCHITECTURE, L.L.C. AND IS NOT TO BE USED, IN WHOLE OR IN PART, FOR ANY OTHER PROJECT WITHOUT THE WRITTEN AUTHORIZATION OF K4 ARCHITECTURE, L.L.C. COPYRIGHT 2009, K4 ARCHITECTURE, L.L.C. ALL RIGHTS RESERVED.



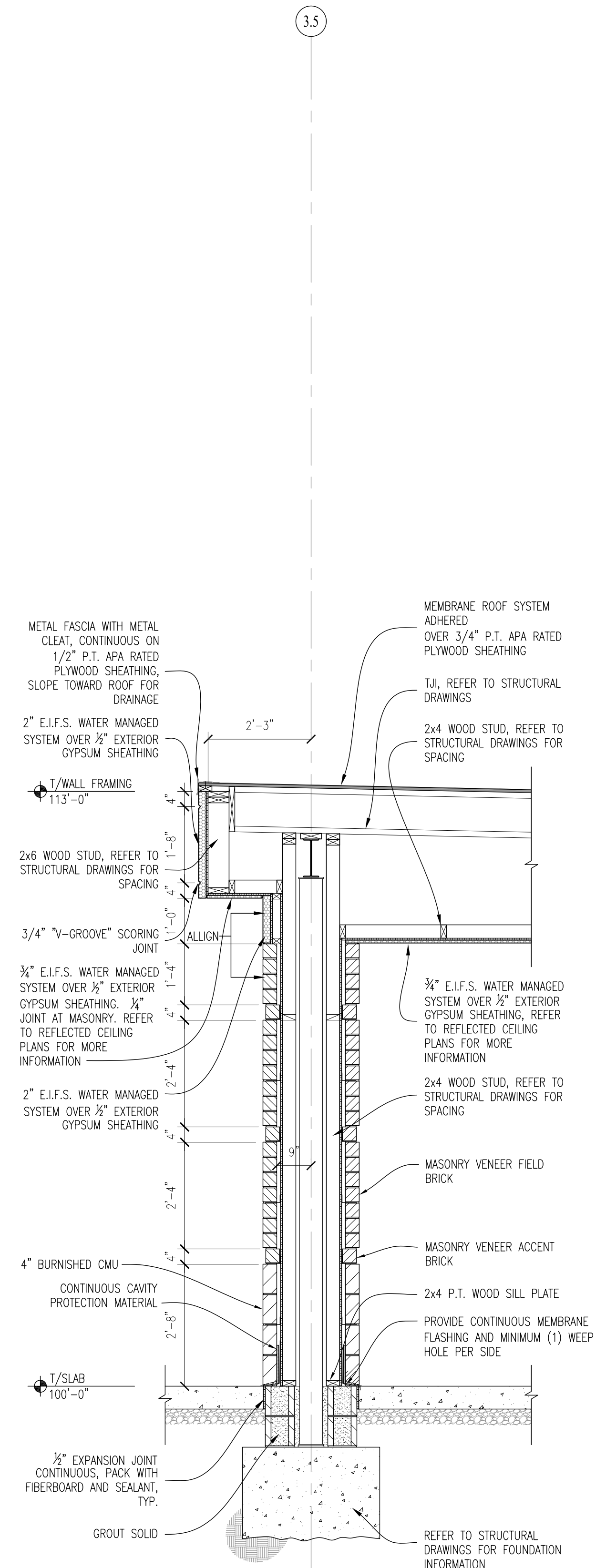
SECTION 4
SCALE: 1/2"=1'-0"



SECTION 3
SCALE: 1/2"=1'-0"



SECTION 2
SCALE: 1/2"=1'-0"



SECTION 1
SCALE: 1/2"=1'-0"

K4 ARCHITECTURE, LLC
555 Gest Street
Cincinnati, Ohio 45203
Tel: (513) 455-5005
Fax: (513) 455-5008
Webpage: www.k4places.com
Email: info@k4places.com

PROPOSED BANKING CENTER FOR:

first financial bank
Shelbyville Branch
1850 MARKETPLACE Blvd.
SHELBYVILLE, INDIANA 46176

REVISIONS / SUBMISSIONS		
NO.	DESCRIPTION	DATE
1	PERMIT / BID ISSUE	02/22/10

WALL SECTIONS

Drawn By: K4
Scale: AS NOTED
Job No.: 09-2109

A415

File Location: E:\K4 Projects\2009\09-2109 FTB Shelbyville, IN\Arch