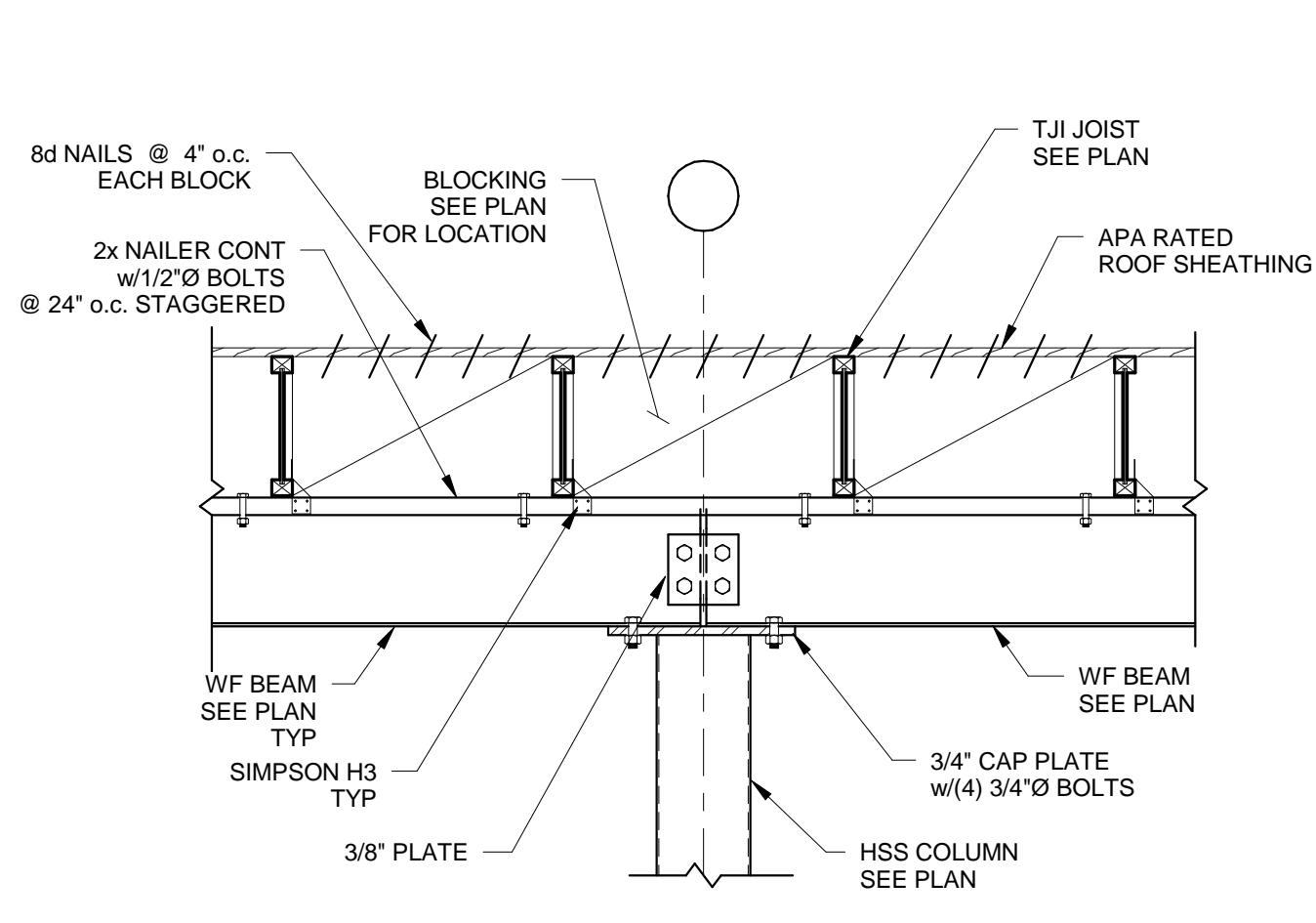
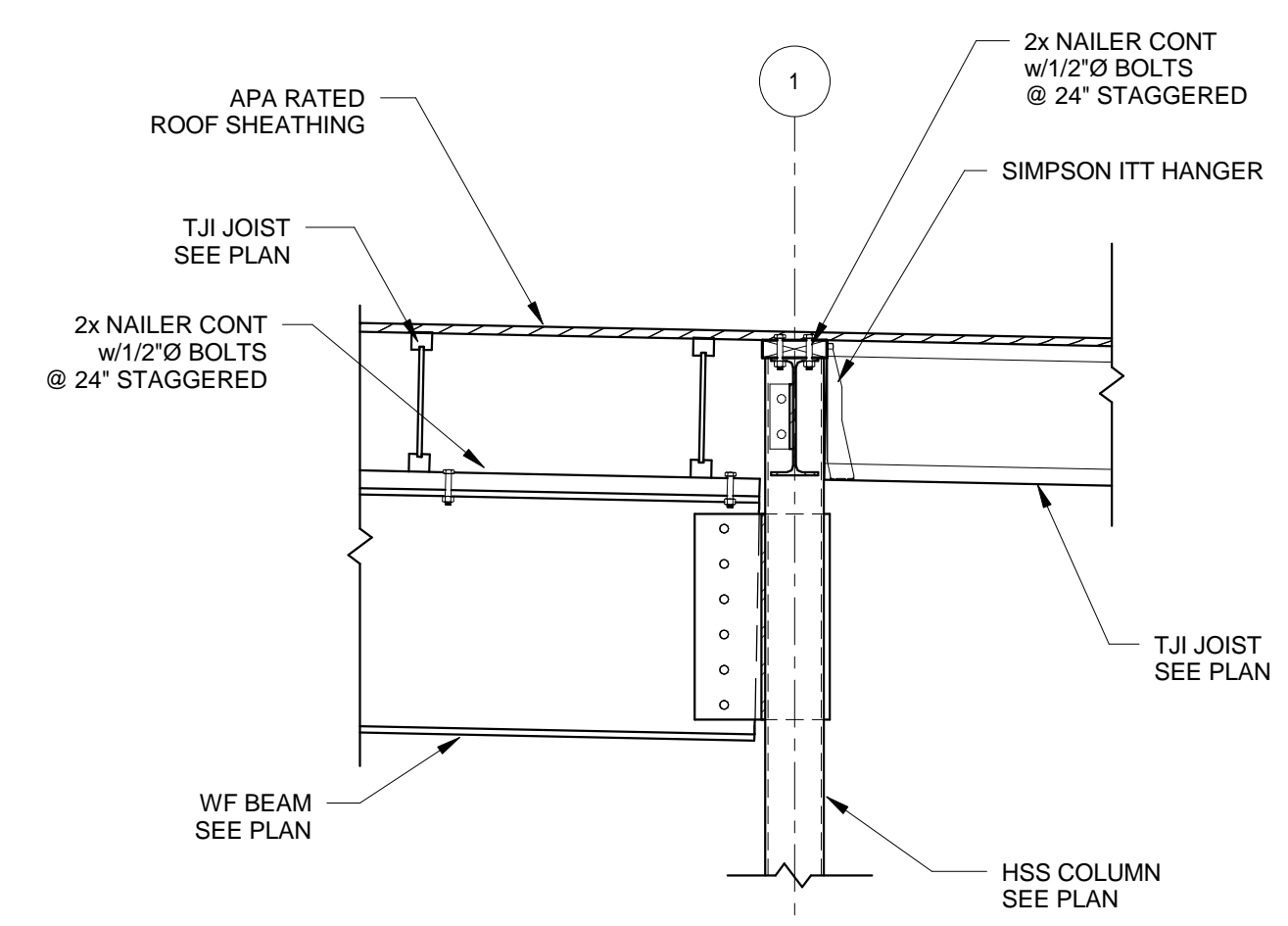


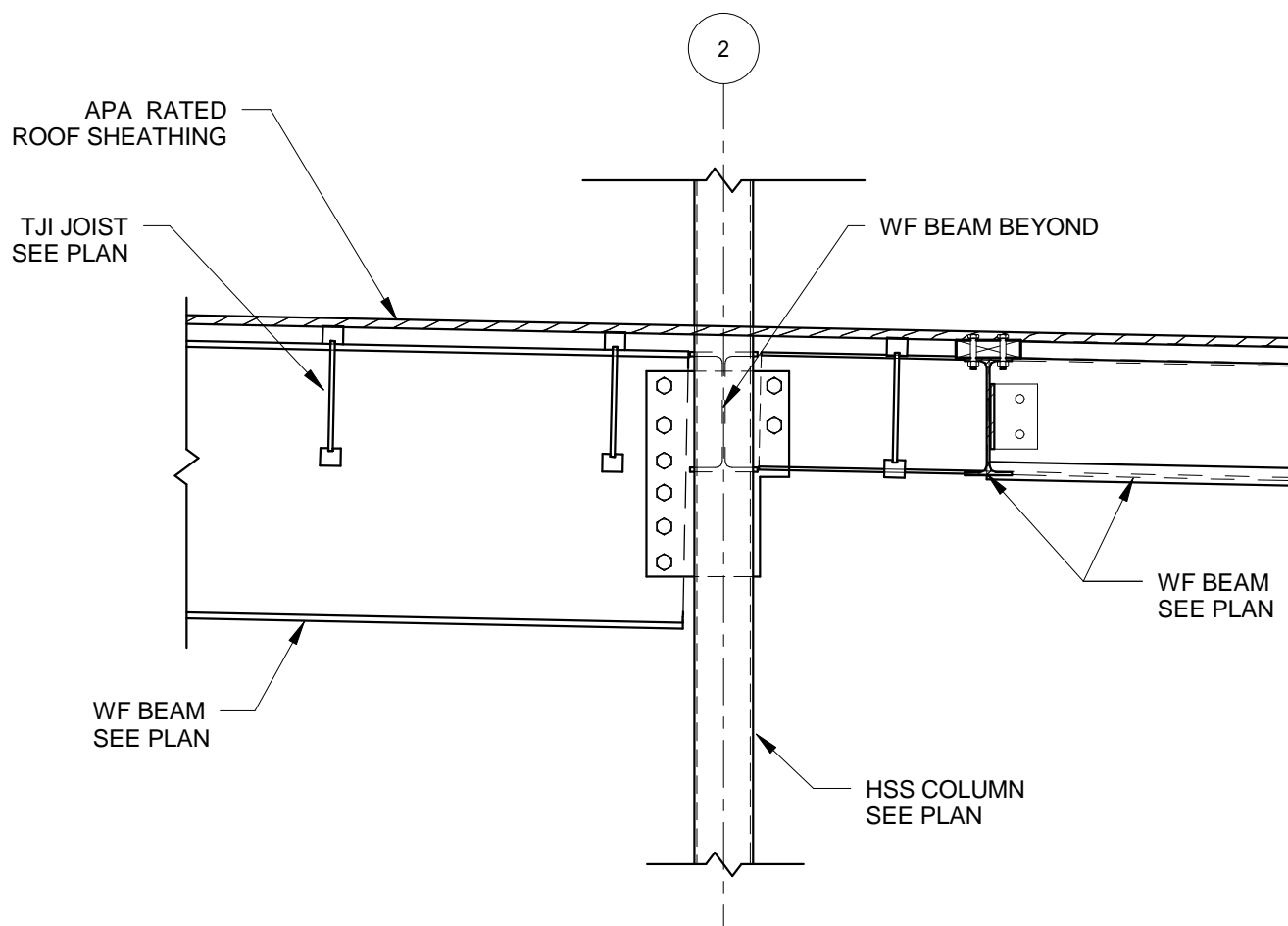
THIS DOCUMENT AND THE BEG AND DESIGN INFORMATION ARE THE PROPERTY OF ADVANTAGE GROUP ENGINEERS, INC. AND NOT TO BE USED IN ANY MANNER WITHOUT THE WRITTEN AUTHORIZATION OF ADVANTAGE GROUP ENGINEERS, INC. COPYRIGHT 2016. ADVANTAGE GROUP ENGINEERS, INC. ALL RIGHTS RESERVED.



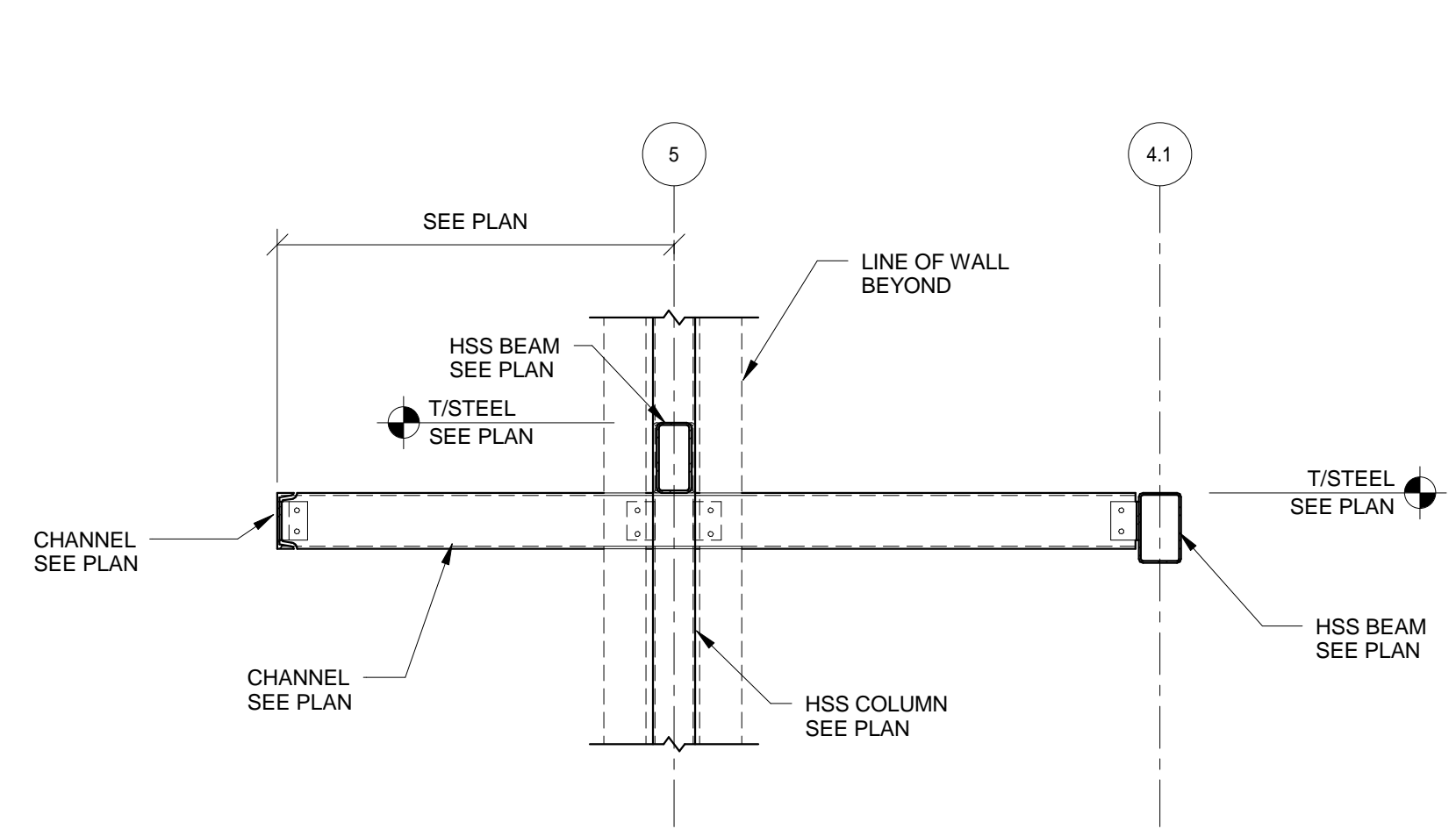
SECTION 16
SCALE 3/4" = 1'-0"
S321



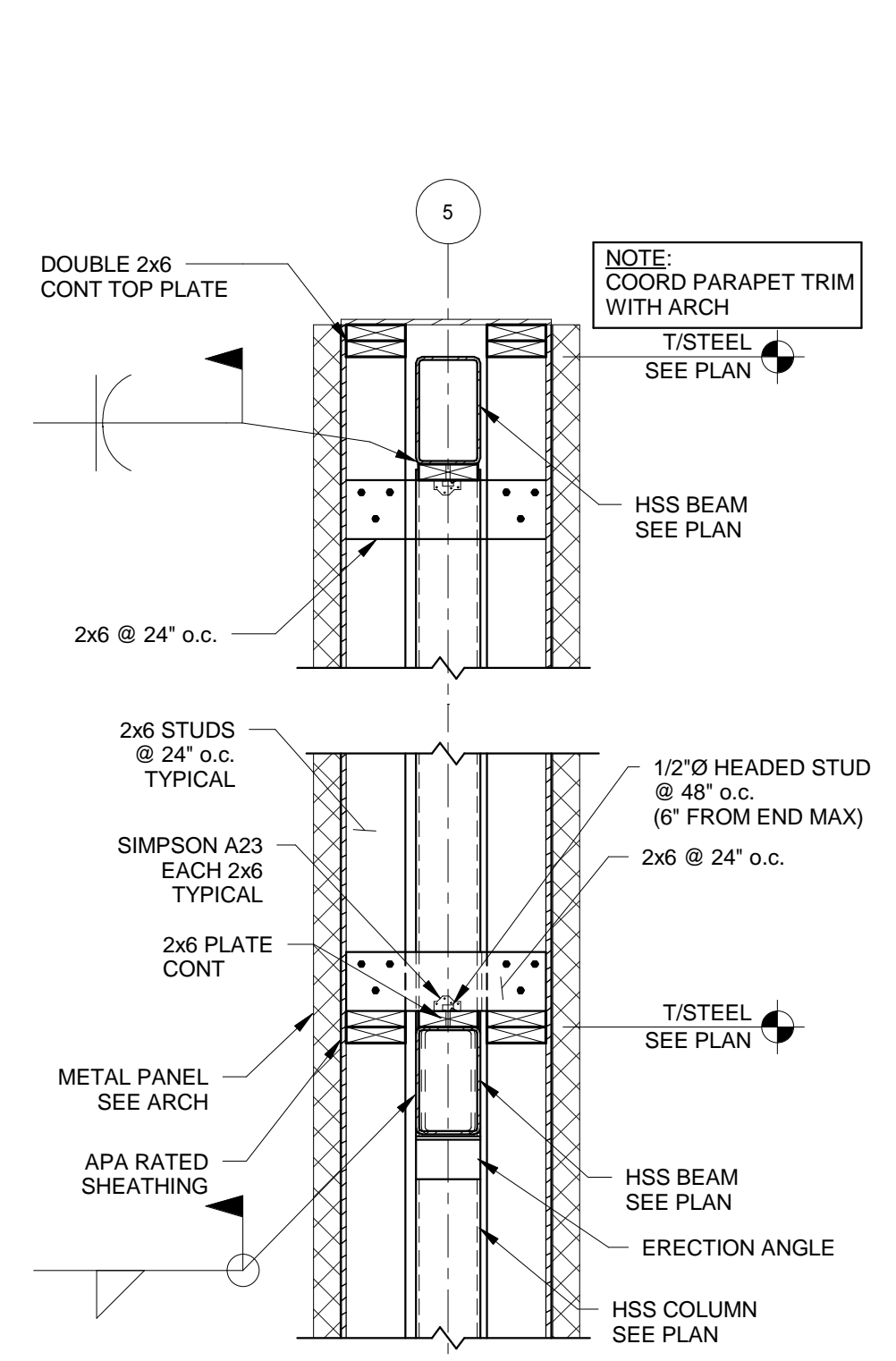
SECTION 17
SCALE 3/4" = 1'-0"
S321



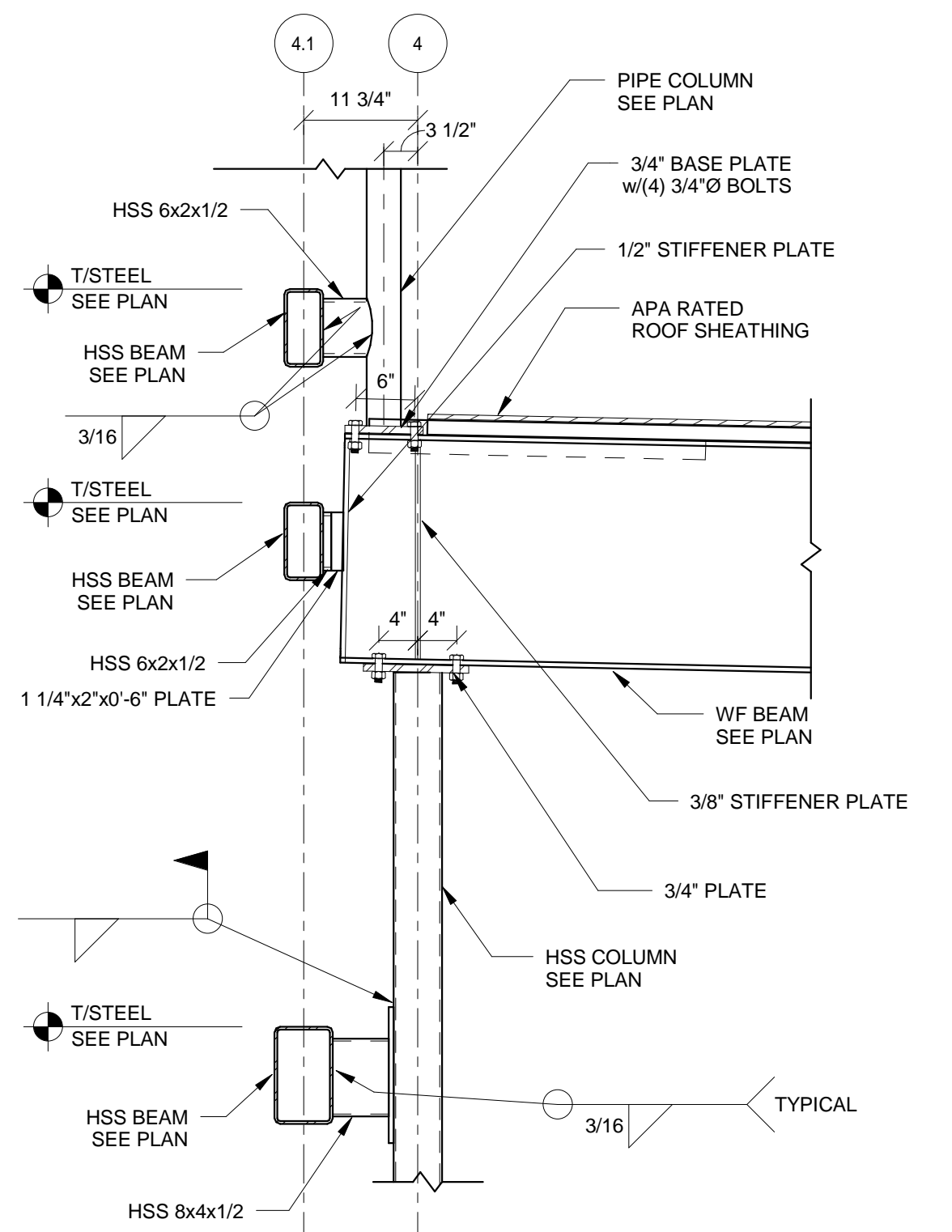
SECTION 18
SCALE 3/4" = 1'-0"
S321



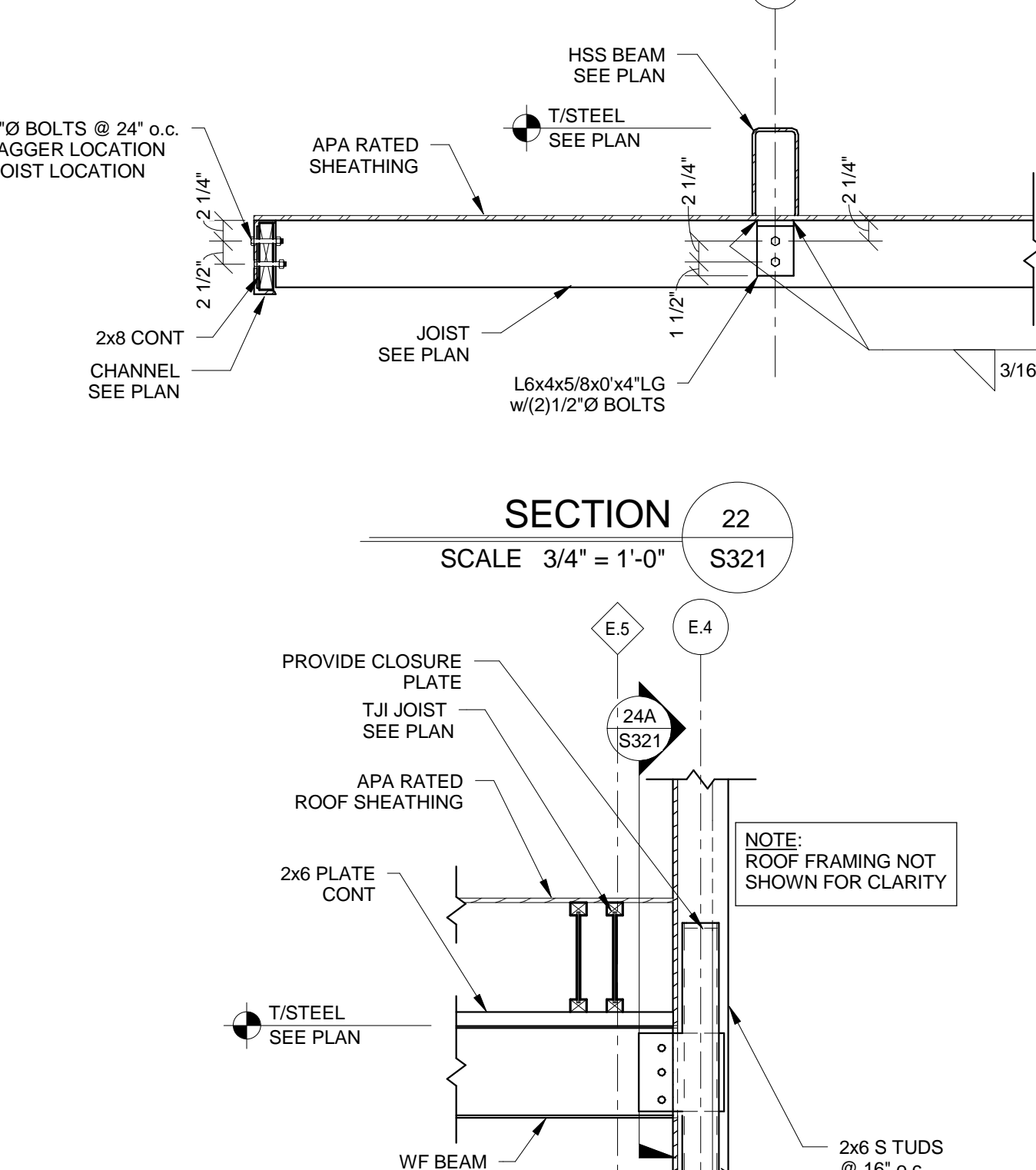
SECTION 19
SCALE 1/2" = 1'-0"
S321



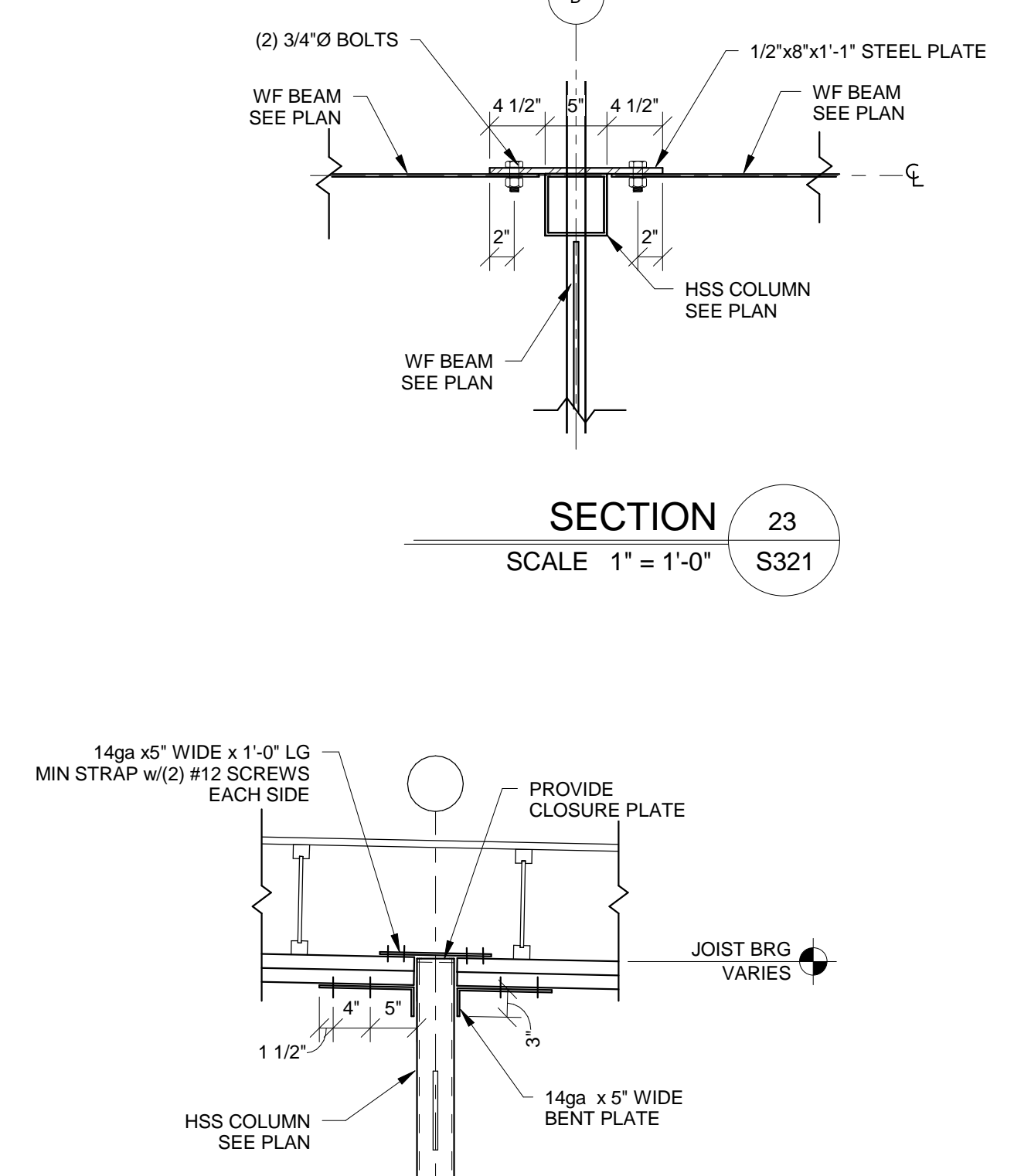
SECTION 20
SCALE 3/4" = 1'-0"
S321



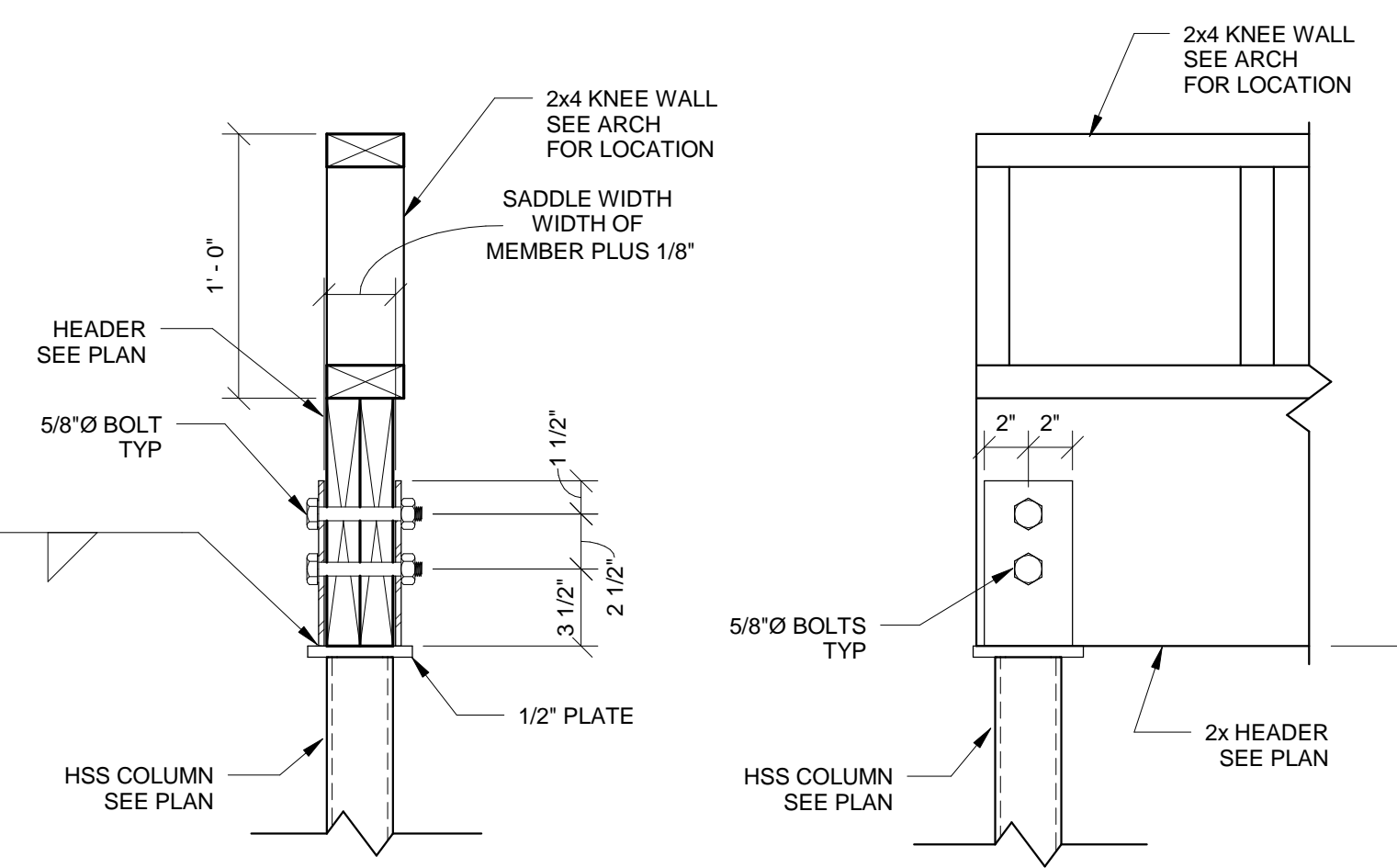
SECTION 21
SCALE 3/4" = 1'-0"
S321



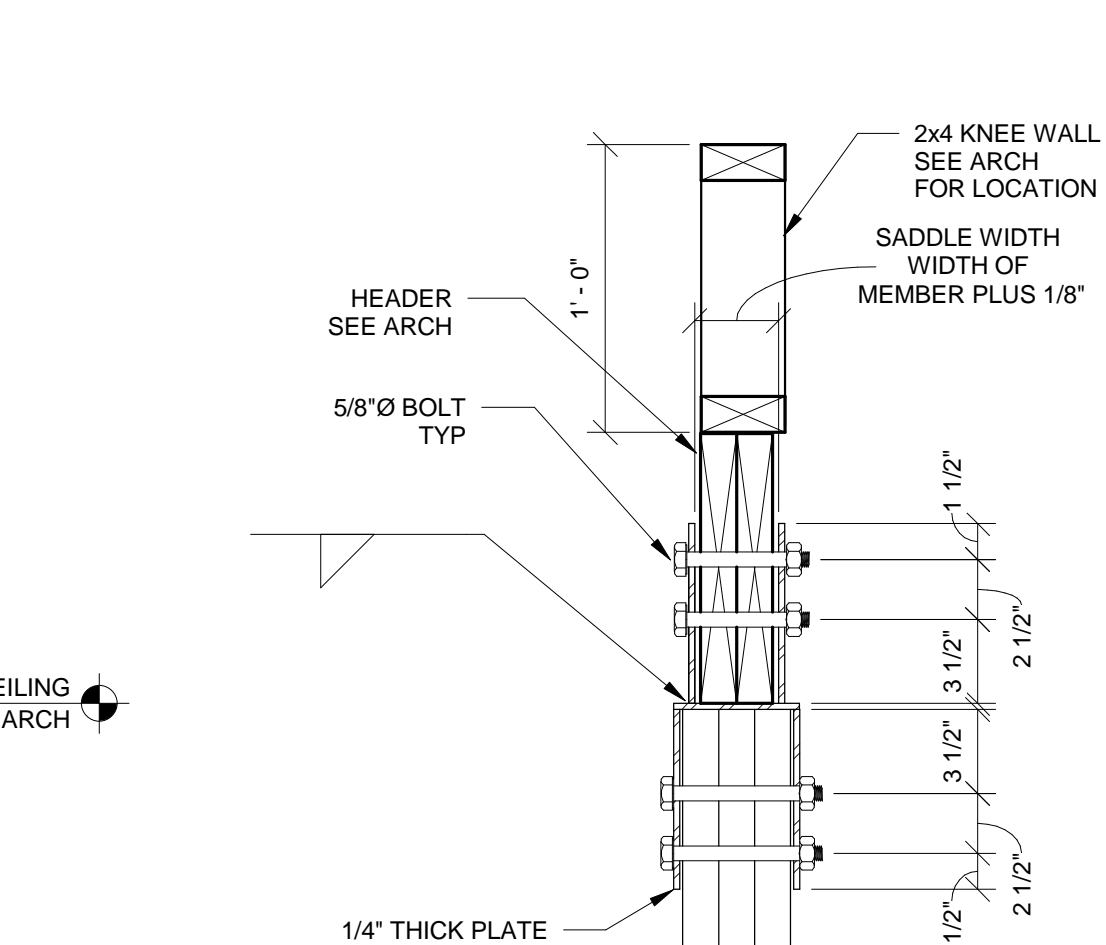
SECTION 22
SCALE 3/4" = 1'-0"
S321



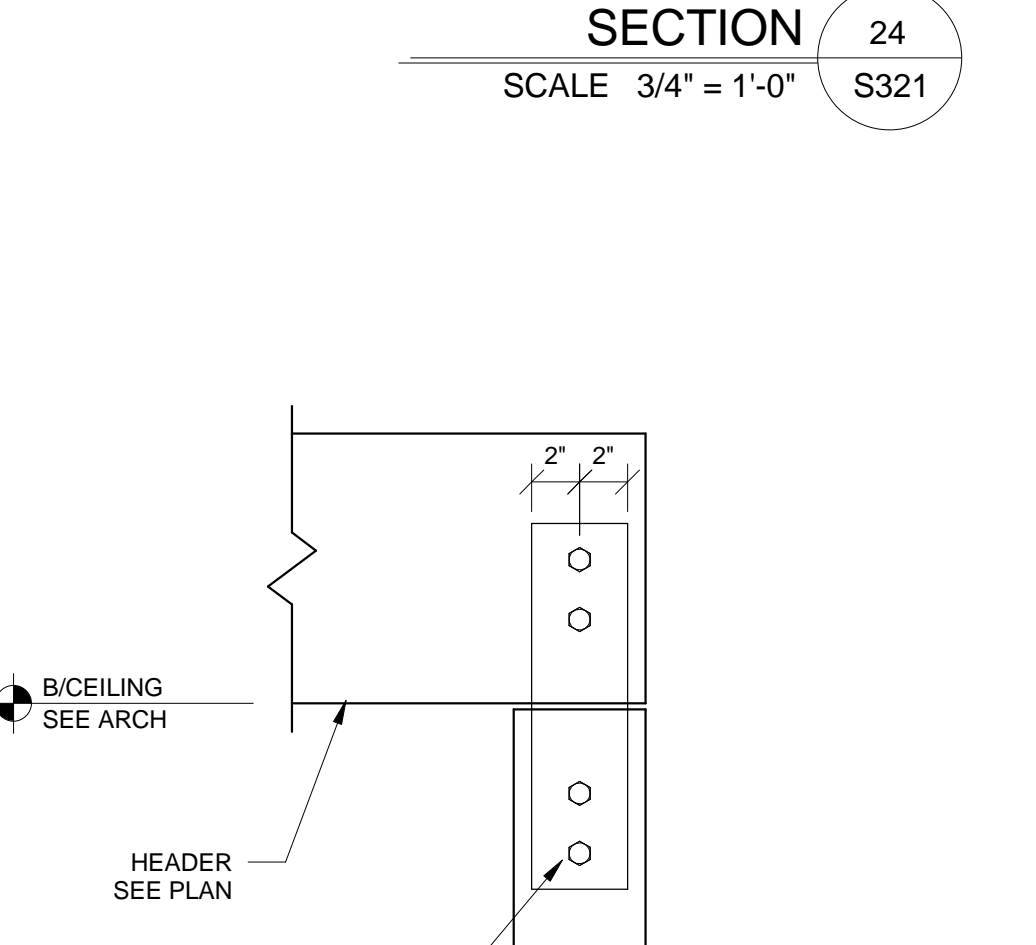
SECTION 23
SCALE 1" = 1'-0"
S321



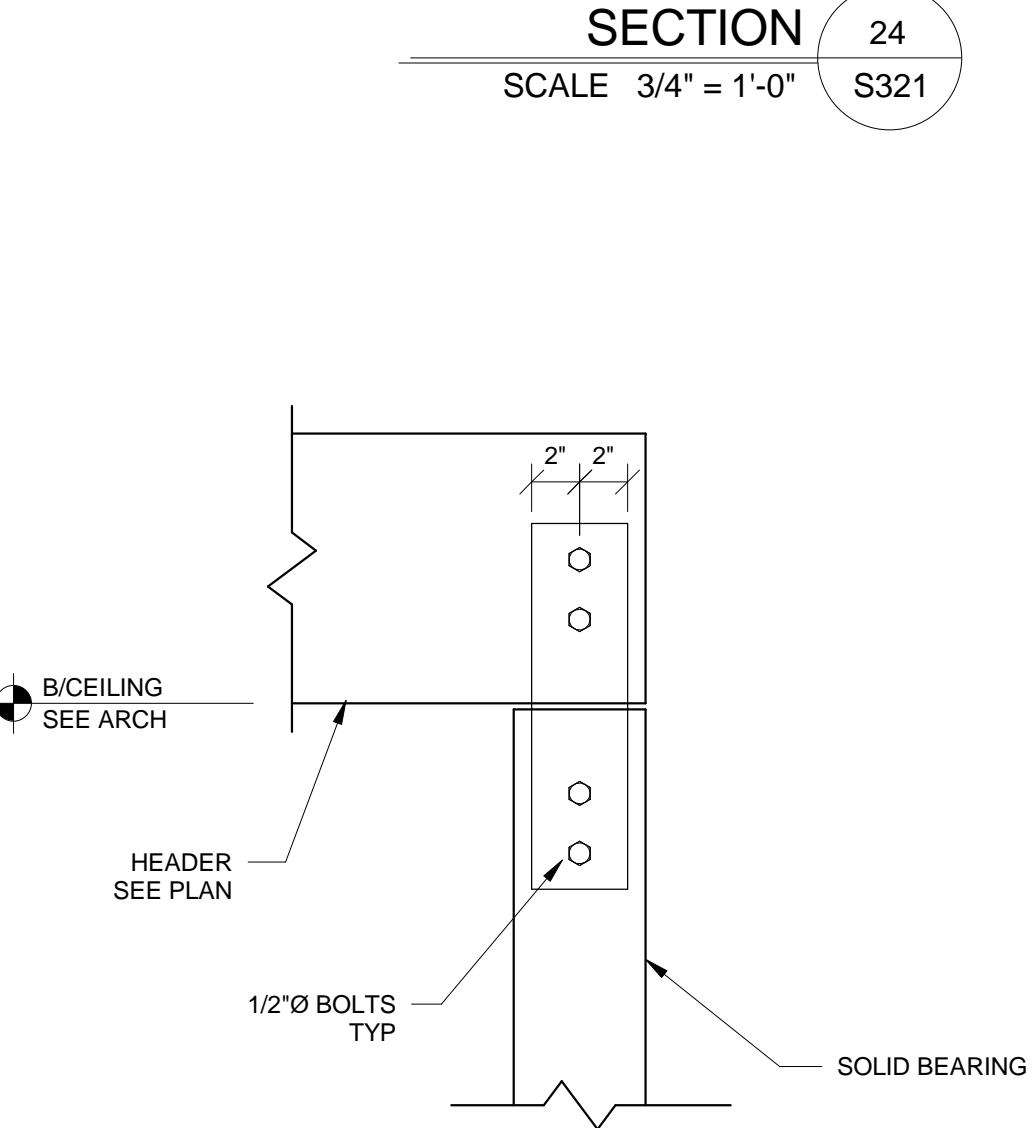
SECTION 25
SCALE 1 1/2" = 1'-0"
S321



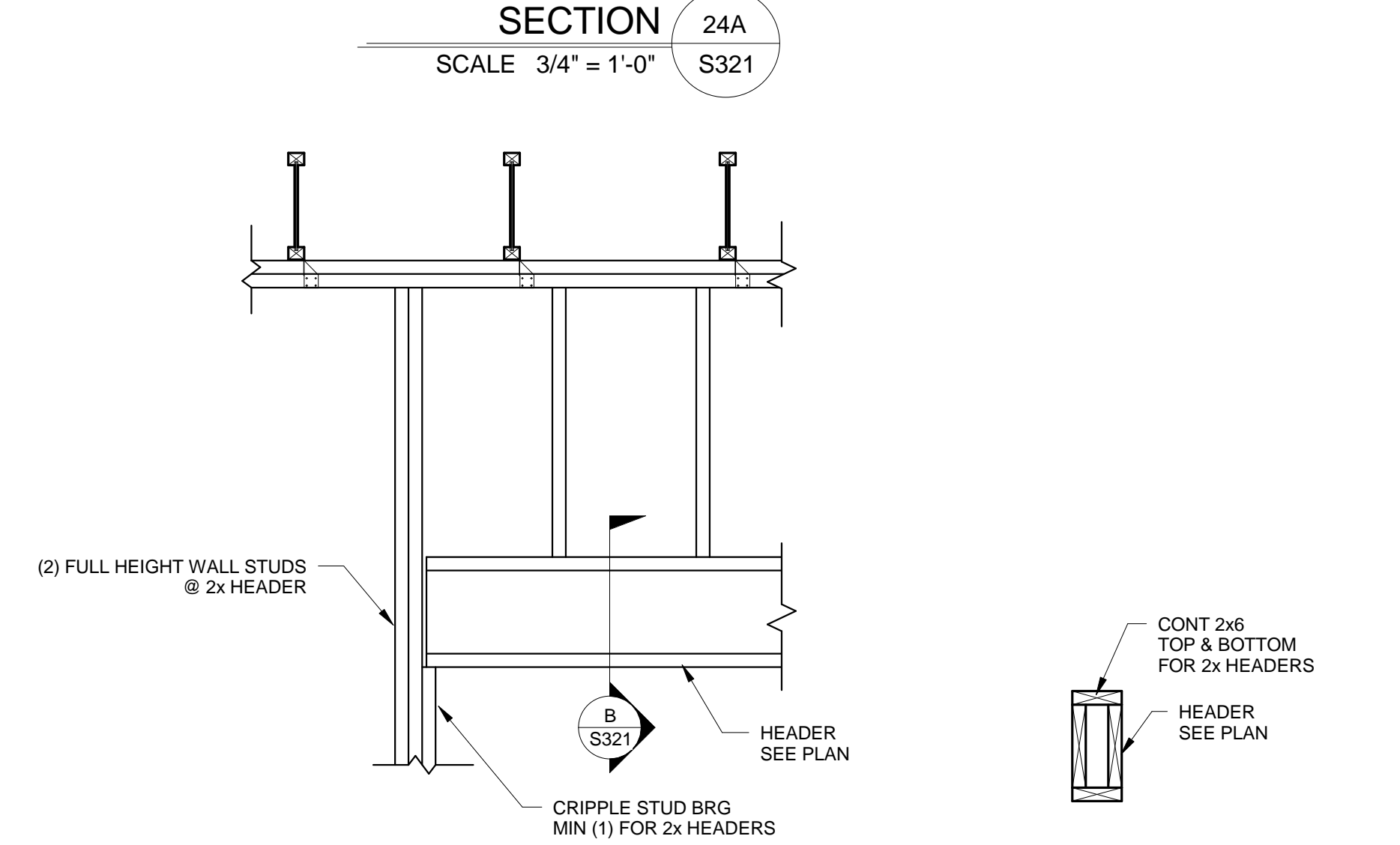
SECTION 26
SCALE 1 1/2" = 1'-0"
S321



SECTION 27
SCALE 1 1/2" = 1'-0"
S321



SECTION 28
SCALE 1 1/2" = 1'-0"
S321



TYPICAL HEADER DETAIL
SCALE 3/4" = 1'-0"
SECTION B
SCALE 3/4" = 1'-0"
S321

K4
ARCHITECTURE, LLC
555 Gest Street
Cincinnati, Ohio 45203
Tel: (513) 455-5005
Fax: (513) 455-5008
Webpage: www.k4places.com
Email: k4arch@k4places.com

PROPOSED BANKING CENTER FOR:

Shelbyville Branch
1850 MARKETPLACE Blvd.
SHELBYVILLE, INDIANA 46176

first
first financial bank

REVISIONS / SUBMISSIONS		
NO.	DESCRIPTION	DATE
1	PERMIT AND BID	02/22/10

Structural Consultants
ADVANTAGE GROUP
ENGINEERS, INC.

660 Lincoln Avenue, Suite 305
Cincinnati, Ohio 45206
Ph: (513) 396-8900
FAX: (513) 396-8903

STEEL FRAMING DETAILS

Drawn By: BR/GB
Scale: AS SHOWN
Job No.: 09131.17

S321